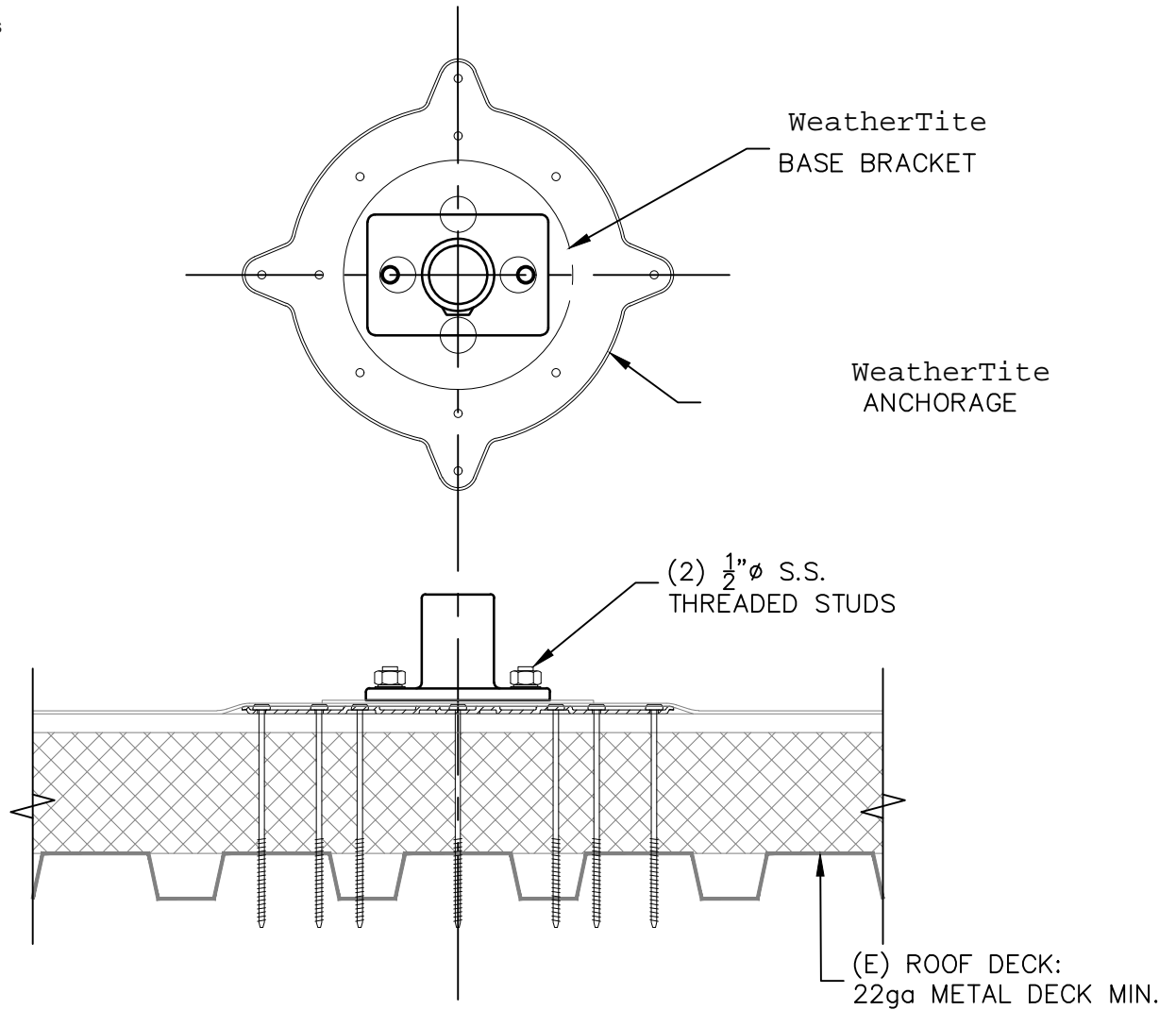


TECHNICAL DATA SHEET

WeatherTite GUARDRAIL BASE BRACKET

GUARDRAIL

AXIS
ANCHOR PRODUCTS



NOTES:

1. A QUALIFIED PERSON IS RESPONSIBLE TO VERIFY THE EXISTING BUILDING STRUCTURE IS CAPABLE OF WITHSTANDING THE APPLIED LOADS OF THE ROOF SAFETY EQUIPMENT SUPPLIED BY ROOFTOP ANCHOR, INC.
2. ANCHORING OF POSTS AND FRAMING OF MEMBERS FOR RAILS SHALL BE SUCH THAT THE COMPLETED STRUCTURE SHALL BE CAPABLE OF WITHSTANDING A LOAD OF AT LEAST 200 POUNDS APPLIED IN ANY DIRECTION AT ANY POINT ON THE TOP RAIL.
3. METAL DECK SHALL BE 22ga MINIMUM WITH $1\frac{1}{2}$ " MINIMUM FLUTES.
4. SCREWS MUST FULLY PENETRATE ROOF DECK, 2" MINIMUM. ALL FASTENERS MUST BE INSTALLED ACCORDING TO MANUFACTURER'S SPECIFICATIONS.
5. THIS ANCHOR IS NOT TO BE USED IN A WALL MOUNTED APPLICATION.
6. DO NOT INSTALL ON ROOF ASSEMBLIES WITH MORE THAN 10" OF RIGID INSULATION.

ROOFTOP ANCHOR

PROPRIETARY AND CONFIDENTIAL

The information contained in this drawing is the sole property of Rooftop Anchor, Inc. Any reproduction in part or as a whole without written permission of Rooftop Anchor, Inc. is prohibited.

EFFECTIVE: JANUARY 2017

