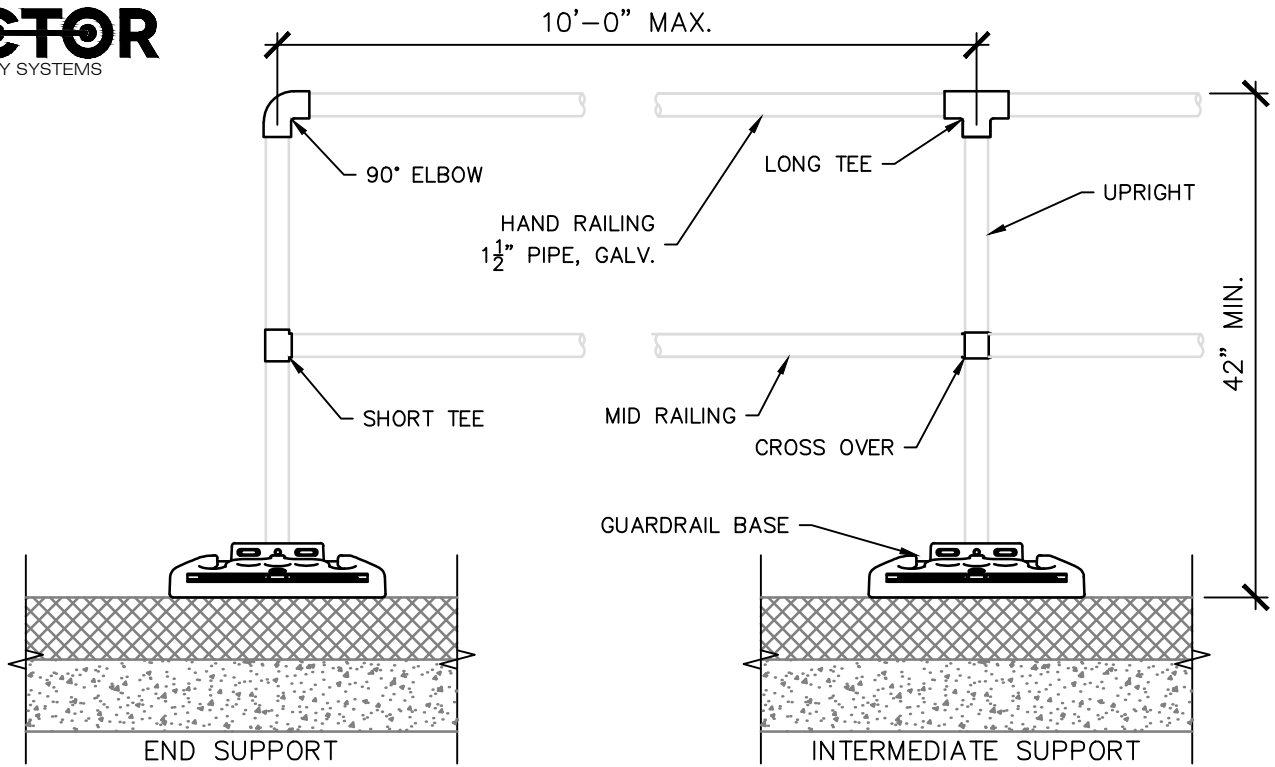


# TECHNICAL DATA SHEET

## MODULAR COUNTERWEIGHTED GUARDRAIL SYSTEM GCM \_ \_

**SECTOR**  
SAFETY SYSTEMS

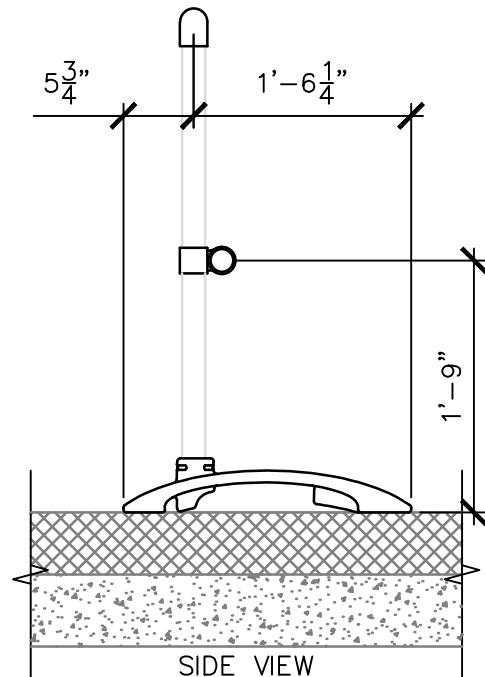


PART # GCM \_ \_

- G ]— PRODUCT TYPE (GUARDRAIL)
- C ]— ATTACHMENT METHOD (COUNTERWEIGHTED)
- M ]— GUARDRAIL STYLE (MODULAR)
- 4 ]— VERTICAL HEIGHT: \_ "(42")
- 2 ]—
- 8 ]— RAIL LENGTH: \_ \_" (10' 0")
- 0 ]—

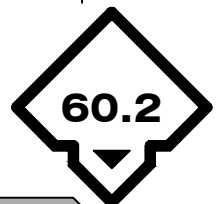
**NOTES:**

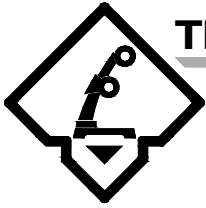
1. ALL GUARDRAIL SHALL BE A PART OF AN OSHA COMPLIANT GUARDRAIL SYSTEM.
2. GUARDRAIL SHALL HAVE A MINIMUM HEIGHT OF 42" ABOVE THE FINISHED WALKING SURFACE.
3. PIPE RAILINGS SHALL HAVE A MINIMUM NOMINAL DIAMETER OF 1 1/2".
4. POST SPACING SHALL NOT EXCEED 10'-0".
5. ANCHORING OF POSTS AND FRAMING OF MEMBERS FOR RAILS SHALL BE SUCH THAT THE COMPLETED STRUCTURE SHALL BE CAPABLE OF WITHSTANDING A LOAD OF AT LEAST 200 POUNDS APPLIED IN ANY DIRECTION AT ANY POINT ON THE TOP RAIL.



**PROPRIETARY AND CONFIDENTIAL**  
The information contained in this drawing is the sole property of Rooftop Anchor, Inc. Any reproduction in part or as a whole without written permission of Rooftop Anchor, Inc. is prohibited.

	PIPE	BRACKETS / BASES
MATERIAL	ASTM A53	CAST IRON, GALV.
QUALITY	100% VISUAL INSP.	100% VISUAL INSP.
COLOR	METALLIC	DULL METALLIC



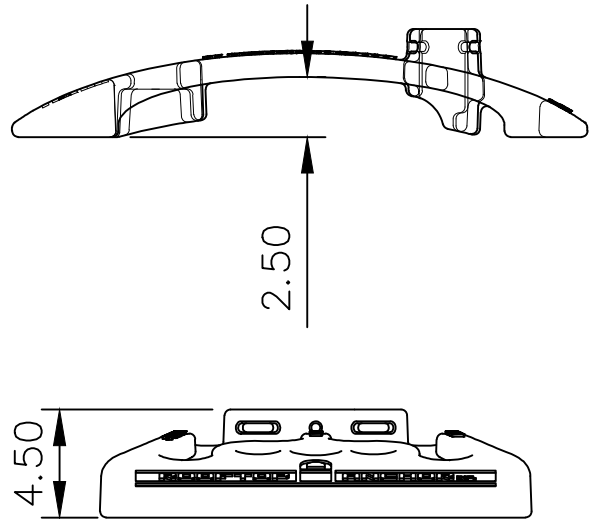
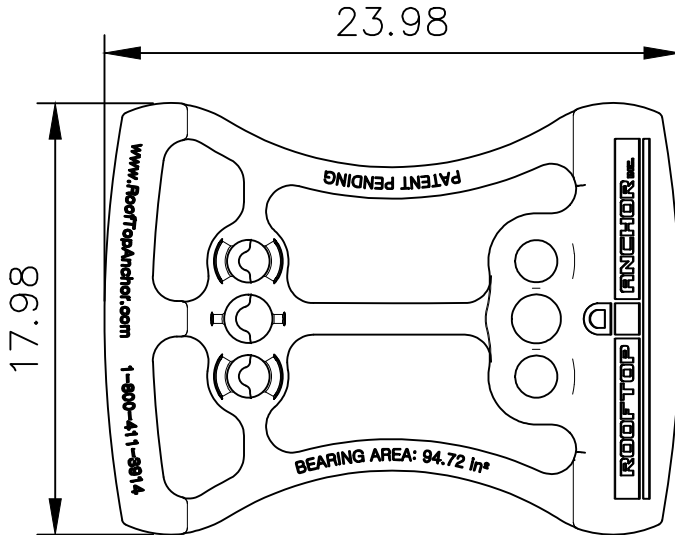


# TECHNICAL DATA SHEET

## COUNTERWEIGHTED GUARDRAIL BASE

GC000

**SECTOR**  
SAFETY SYSTEMS



OFF CENTERED STANCHION  
MOVES THE BASE AWAY  
FROM THE WALKING SURFACE,  
PREVENTING A TRIP HAZARD

FOR 1.25" PIPE

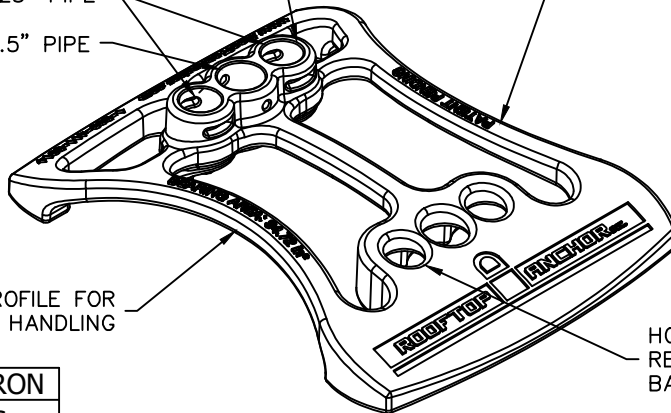
FOR 1.5" PIPE

CURVED PROFILE TO  
PREVENT WATER PONDING

TAPERED SOFT  
EDGES PREVENT  
CUTS AND SNAGS  
ON ROOF MEMBRANE

PROFILE FOR  
EASY HANDLING

HOLES FOR PIPE TO  
REACH BOTTOM  
BASE WHEN STACKED



MATERIAL	CAST IRON
WEIGHT	85 lbs.
FOOTPRINT	94.72 in <sup>2</sup>
ROOF PRESSURE	0.90 psi



**PROPRIETARY AND CONFIDENTIAL**  
The information contained in this drawing is the sole property of  
Rooftop Anchor, Inc. Any reproduction in part or as a whole without  
written permission of Rooftop Anchor, Inc. is prohibited.

