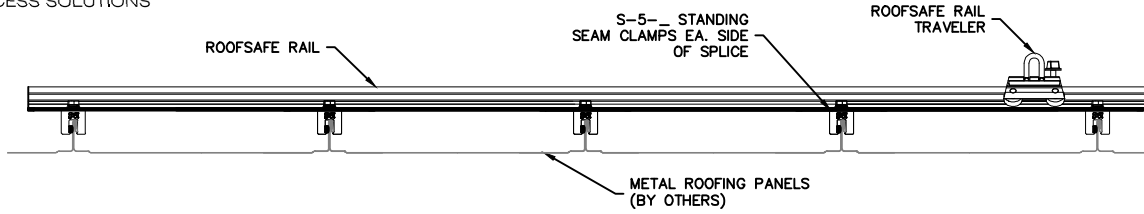


# TECHNICAL DATA SHEET

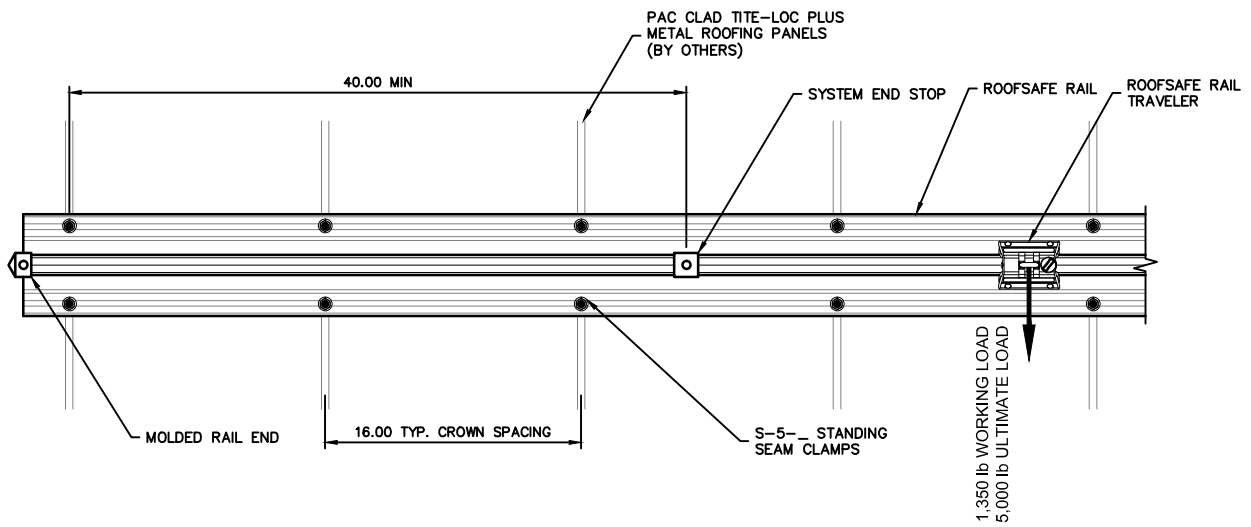
## ROOFSAFE RAIL - STANDING SEAM

ER060110

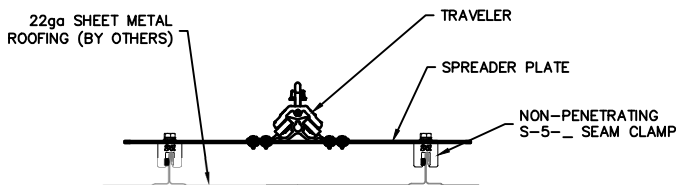
**LINEAR**  
ACCESS SOLUTIONS



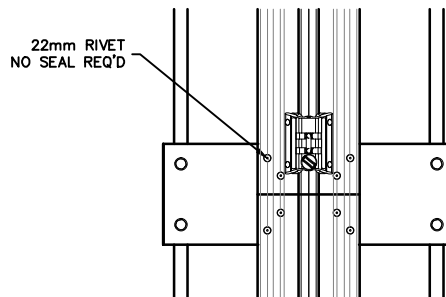
SIDE VIEW



TOP VIEW



SIDE VIEW

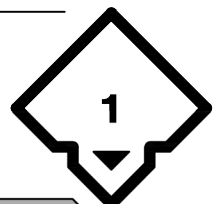


TOP VIEW

**ROOFTOP ANCHOR**

PROPRIETARY AND CONFIDENTIAL  
The information contained in this drawing is the sole property of Rooftop Anchor, Inc. Any reproduction in part or as a whole without written permission of Rooftop Anchor, Inc. is prohibited.

EFFECTIVE: JANUARY 2016



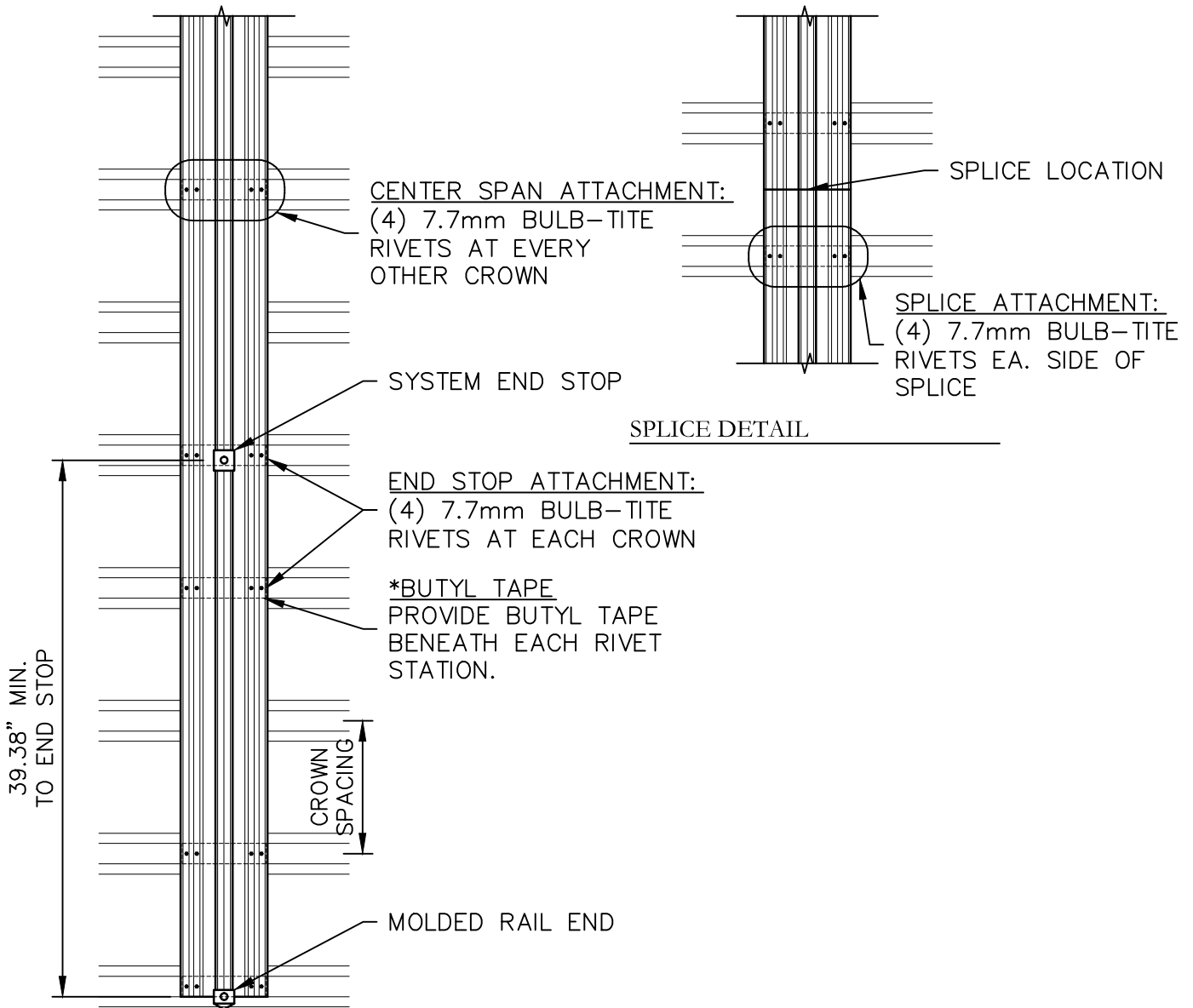


# TECHNICAL DATA SHEET

## ROOFSAFE RAIL - TRAPEZOIDAL ROOF (FALL ARREST)

ER060110

**LINEAR**  
ACCESS SOLUTIONS

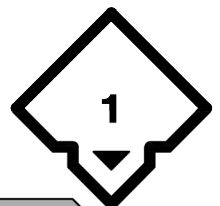


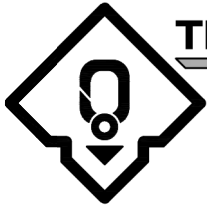
### ROOFSAFE RAIL PERPENDICULAR TO ROOFING CROWNS



**PROPRIETARY AND CONFIDENTIAL**  
The information contained in this drawing is the sole property of Rooftop Anchor, Inc. Any reproduction in part or as a whole without written permission of Rooftop Anchor, Inc. is prohibited.

	BASEPLATE	RIVETS
MATERIAL	ALUMINUM T6	ALUMINUM
QUALITY	100% VISUAL INSP.	100% VISUAL INSP.
STRENGTH	MINIMUM 5000 lb	
RIVET STRENGTH	1,500 lbs SHEAR & 1,100 lbs TENSILE	

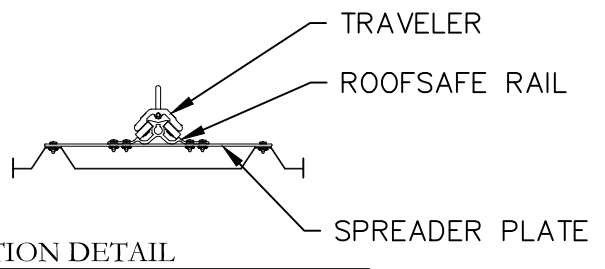
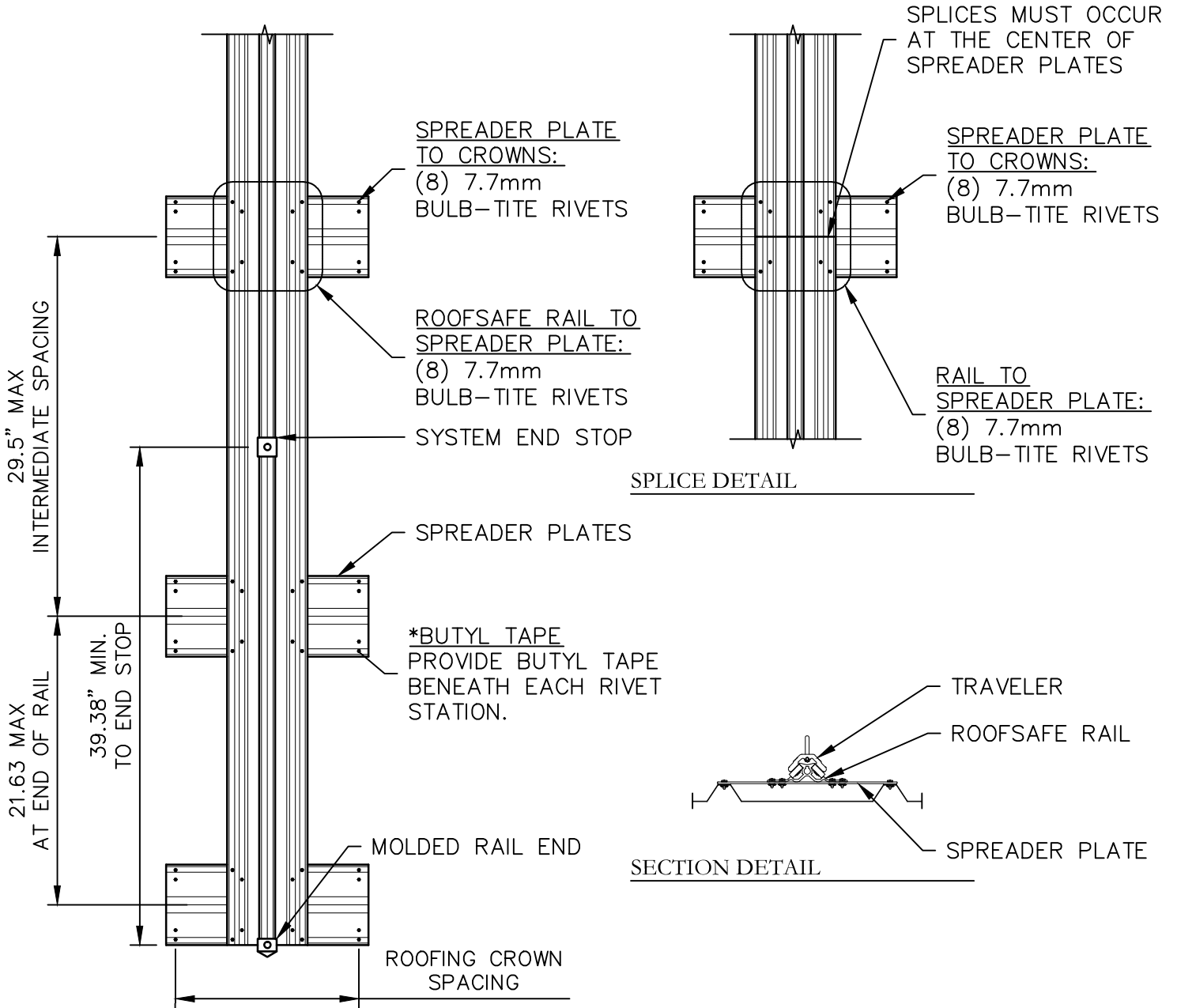




# TECHNICAL DATA SHEET

ROOFSAFE RAIL - TRAPEZOIDAL ROOF (FALL ARREST) **ER060110**

**LINEAR**  
ACCESS SOLUTIONS



## ROOFSAFE RAIL PARALLEL TO ROOFING CROWNS



**PROPRIETARY AND CONFIDENTIAL**  
The information contained in this drawing is the sole property of Rooftop Anchor, Inc. Any reproduction in part or as a whole without written permission of Rooftop Anchor, Inc. is prohibited.

	BASEPLATE	RIVETS
MATERIAL	ALUMINUM T6	ALUMINUM
QUALITY	100% VISUAL INSP.	100% VISUAL INSP.
STRENGTH	MINIMUM 5000 lb	
RIVET STRENGTH	1,500 lbs SHEAR & 1,100 lbs TENSILE	

