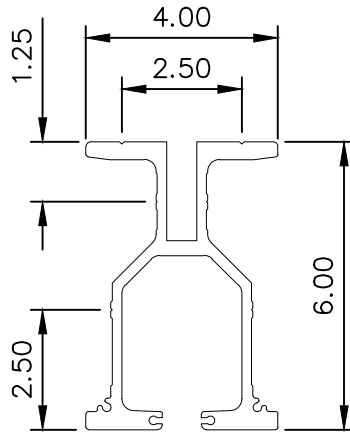


# TECHNICAL DATA SHEET

PFP MONORAIL

MONORAIL

**LINEAR**  
ACCESS SOLUTIONS



MONORAIL SECTION PROPERTIES	
DESCRIPTION	
MATERIAL, EXTRUDED ALUMINUM ALLOY, 6061-T6	35 ksi
WEIGHT PER FOOT	5.96 lbs/ft
SECTIONAL AREA, A	5.09 in <sup>2</sup>
I <sub>x</sub>	24.4250 in <sup>4</sup>
I <sub>y</sub>	6.4100 in <sup>4</sup>
S <sub>x</sub>	7.8640 in <sup>3</sup>

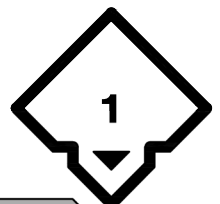
## DESIGN NOTES:

1. ANCHORAGE SYSTEM IS DESIGNED IN ACCORDANCE WITH FEDERAL OSHA STANDARDS AND THE ANSI I-WCA I-14 WINDOW CLEANING SAFETY STANDARD.
2. EACH MONORAIL SECTION IS RATED FOR 1,000 lbs FROM A PRIMARY LINE AND 1,250 lbs FROM A SAFETY LINE FOR A MAXIMUM SPAN OF 10'-0" (PLUS A 4:1 SAFETY FACTOR AGAINST FRACTURE OR DETACHMENT)
3. ALL ANCHORAGE COMPONENTS ARE EVALUATED BY TYPICAL STRUCTURAL CALCULATIONS AND/OR APPROVED TESTING METHODS.

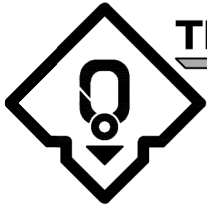
**ROOFTOP ANCHOR**

**PROPRIETARY AND CONFIDENTIAL**

The information contained in this drawing is the sole property of Rooftop Anchor, Inc. Any reproduction in part or as a whole without written permission of Rooftop Anchor, Inc. is prohibited.



EFFECTIVE: JANUARY 2016

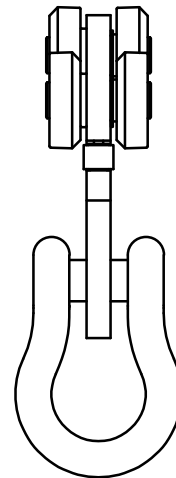
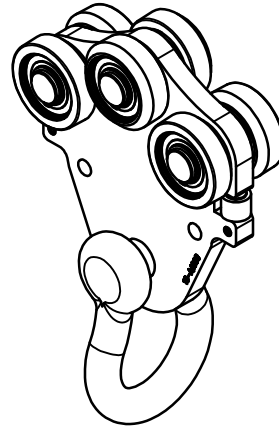
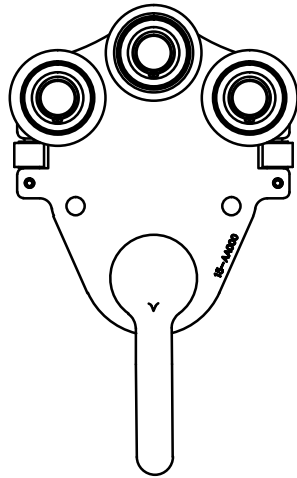


# TECHNICAL DATA SHEET

## MONORAIL TRAVELER

TRAVELER

**LINEAR**  
ACCESS SOLUTIONS



MONORAIL TRAVELER PROPERTIES	
MATERIAL	STAINLESS STEEL
RATED WORKING LOAD	1,250 lbs

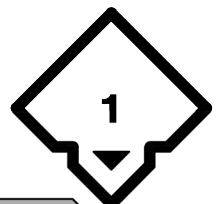
### DESIGN NOTES:

1. ANCHORAGE SYSTEM IS DESIGNED IN ACCORDANCE WITH FEDERAL OSHA STANDARDS AND THE ANSI I-WCA I-14 WINDOW CLEANING SAFETY STANDARD.
2. EACH MONORAIL SECTION IS RATED FOR 1,000 lbs FROM A PRIMARY LINE AND 1,250 lbs FROM A SAFETY LINE FOR A MAXIMUM SPAN OF 10'-0" (PLUS A 4:1 SAFETY FACTOR AGAINST FRACTURE OR DETACHMENT)
3. ALL ANCHORAGE COMPONENTS ARE EVALUATED BY TYPICAL STRUCTURAL CALCULATIONS AND/OR APPROVED TESTING METHODS.

**ROOFTOP ANCHOR**

**PROPRIETARY AND CONFIDENTIAL**

The information contained in this drawing is the sole property of Rooftop Anchor, Inc. Any reproduction in part or as a whole without written permission of Rooftop Anchor, Inc. is prohibited.

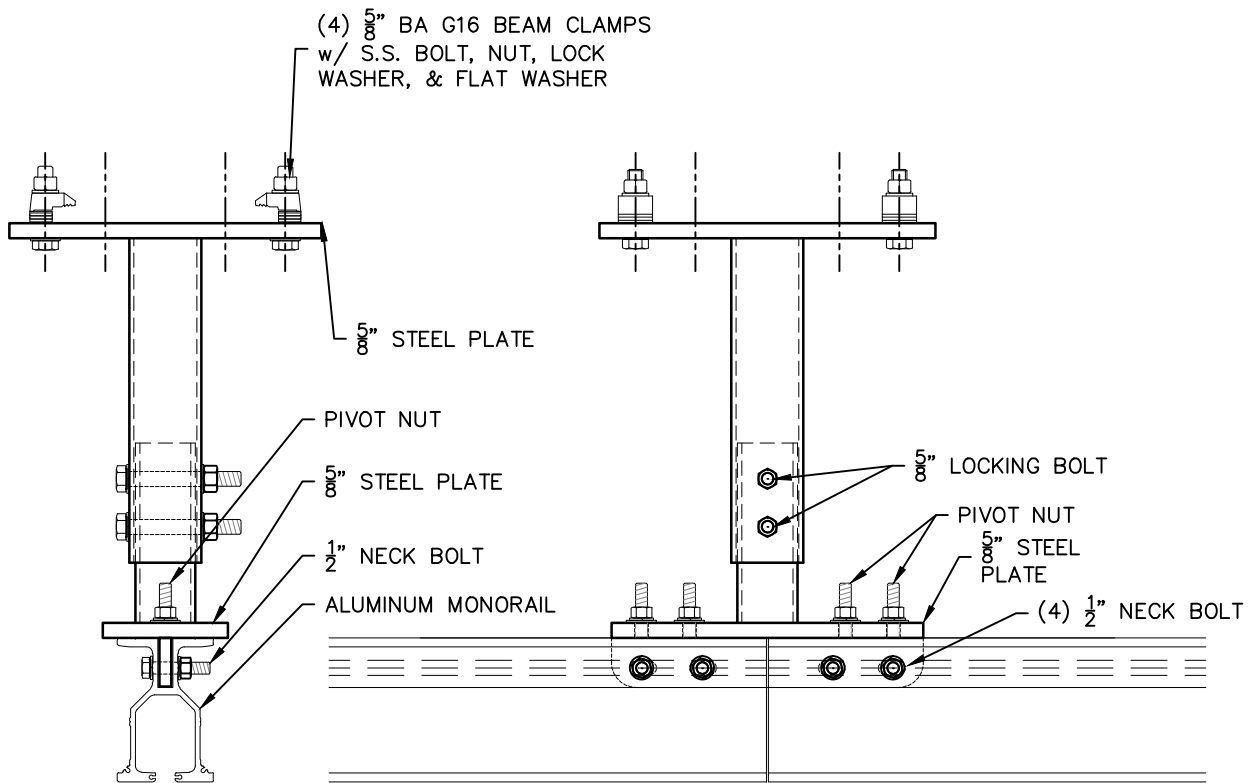
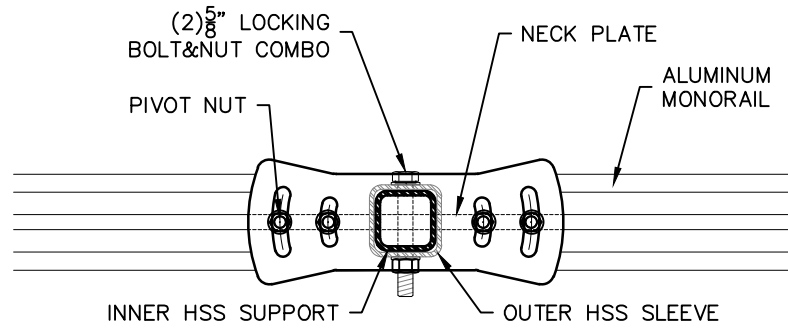




# TECHNICAL DATA SHEET

## MONORAIL BRACKET - BEAM CLAMP

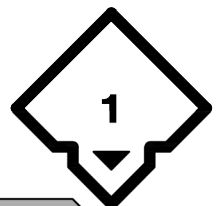
**LINEAR**  
ACCESS SOLUTIONS

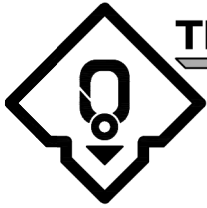


**ROOFTOP ANCHOR**

PROPRIETARY AND CONFIDENTIAL  
The information contained in this drawing is the sole property of Rooftop Anchor, Inc. Any reproduction in part or as a whole without written permission of Rooftop Anchor, Inc. is prohibited.

EFFECTIVE: JANUARY 2016

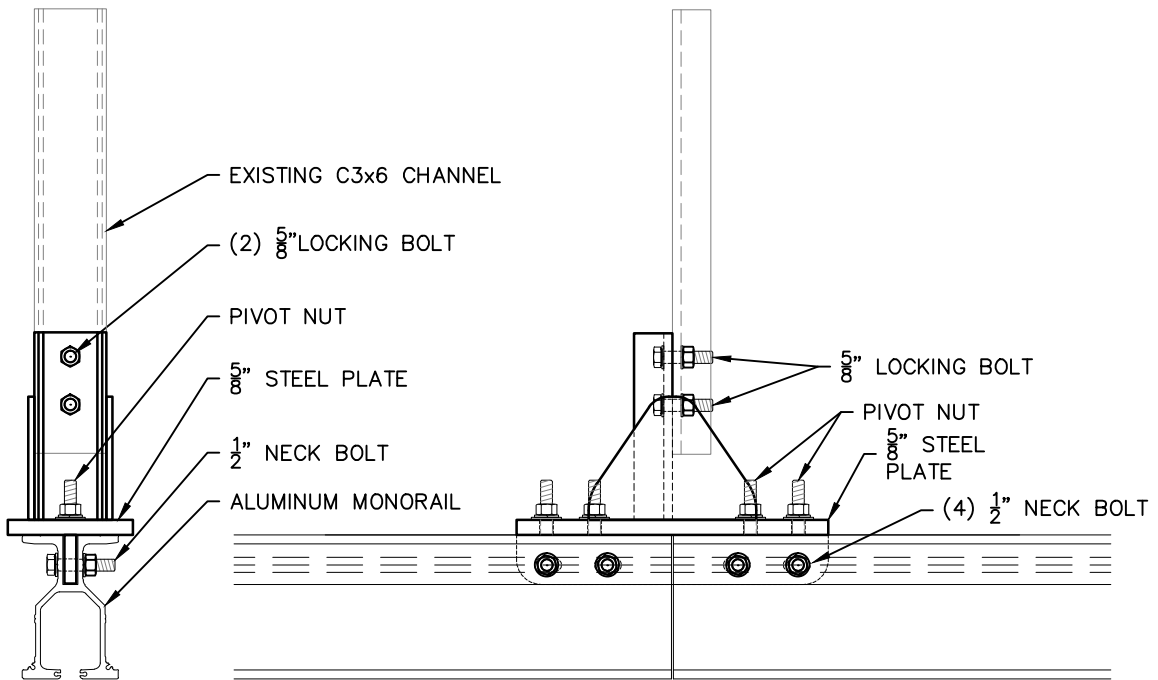
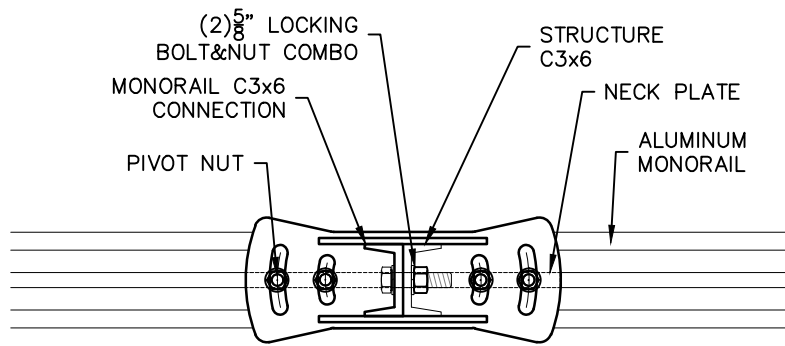




# TECHNICAL DATA SHEET

## MONORAIL BRACKET - BOLT THROUGH

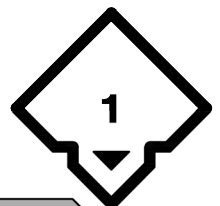
**LINEAR**  
ACCESS SOLUTIONS



**ROOFTOP ANCHOR**

**PROPRIETARY AND CONFIDENTIAL**  
The information contained in this drawing is the sole property of Rooftop Anchor, Inc. Any reproduction in part or as a whole without written permission of Rooftop Anchor, Inc. is prohibited.

EFFECTIVE: JANUARY 2016

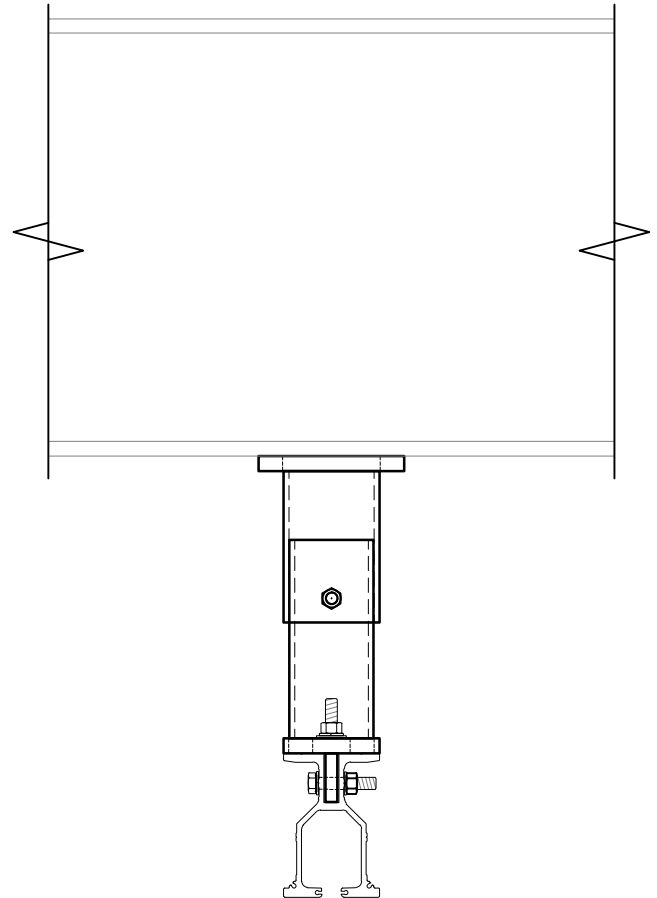
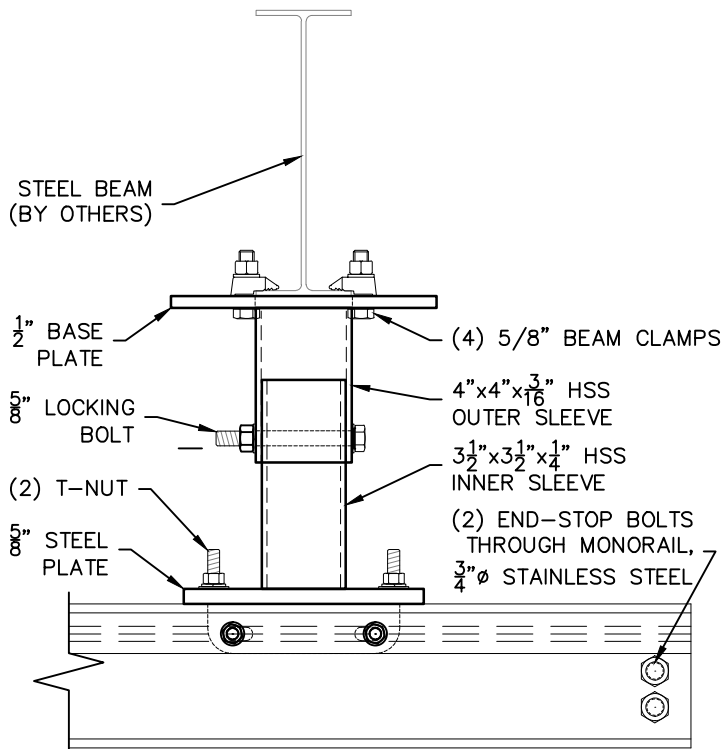




# TECHNICAL DATA SHEET

## MONORAIL BRACKET - SLEEVED BEAM CLAMP

**LINEAR**  
ACCESS SOLUTIONS



**ROOFTOP ANCHOR**

PROPRIETARY AND CONFIDENTIAL  
The information contained in this drawing is the sole property of Rooftop Anchor, Inc. Any reproduction in part or as a whole without written permission of Rooftop Anchor, Inc. is prohibited.

EFFECTIVE: JANUARY 2016

