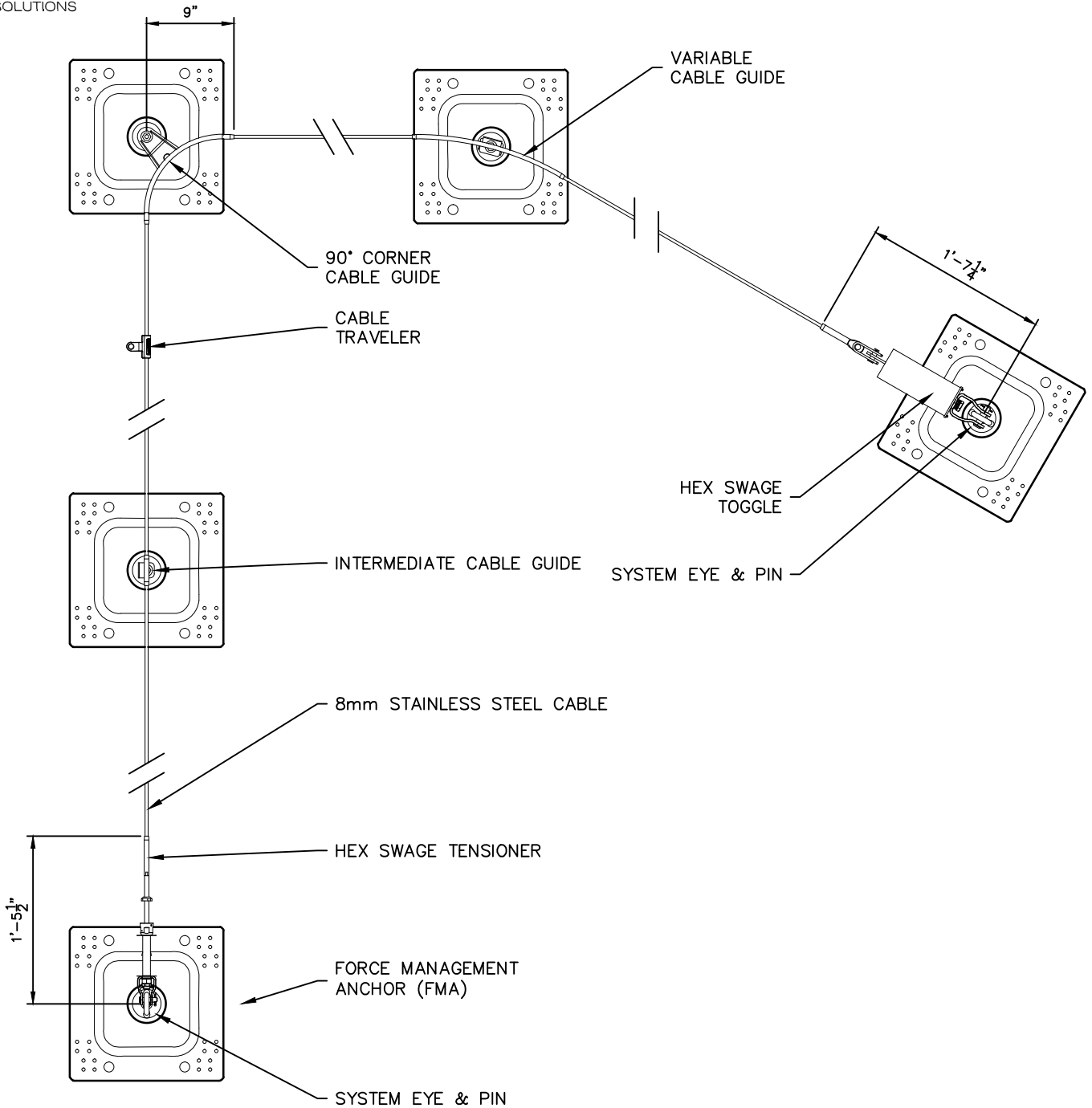


TECHNICAL DATA SHEET

TYPICAL ROOFSAFE CABLE SYSTEM COMPONENTS

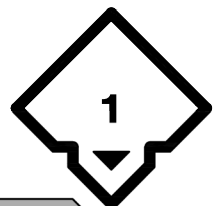
LINEAR
ACCESS SOLUTIONS



ROOFTOP ANCHOR

PROPRIETARY AND CONFIDENTIAL
The information contained in this drawing is the sole property of Rooftop Anchor, Inc. Any reproduction in part or as a whole without written permission of Rooftop Anchor, Inc. is prohibited.

EFFECTIVE: JANUARY 2016



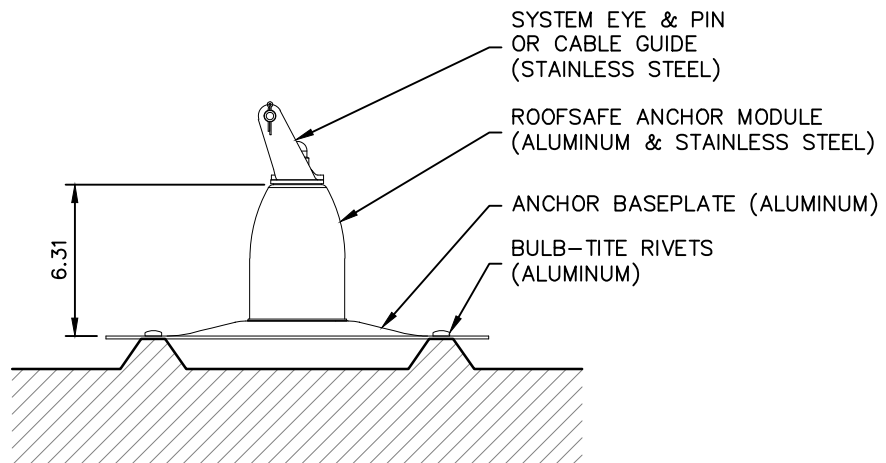
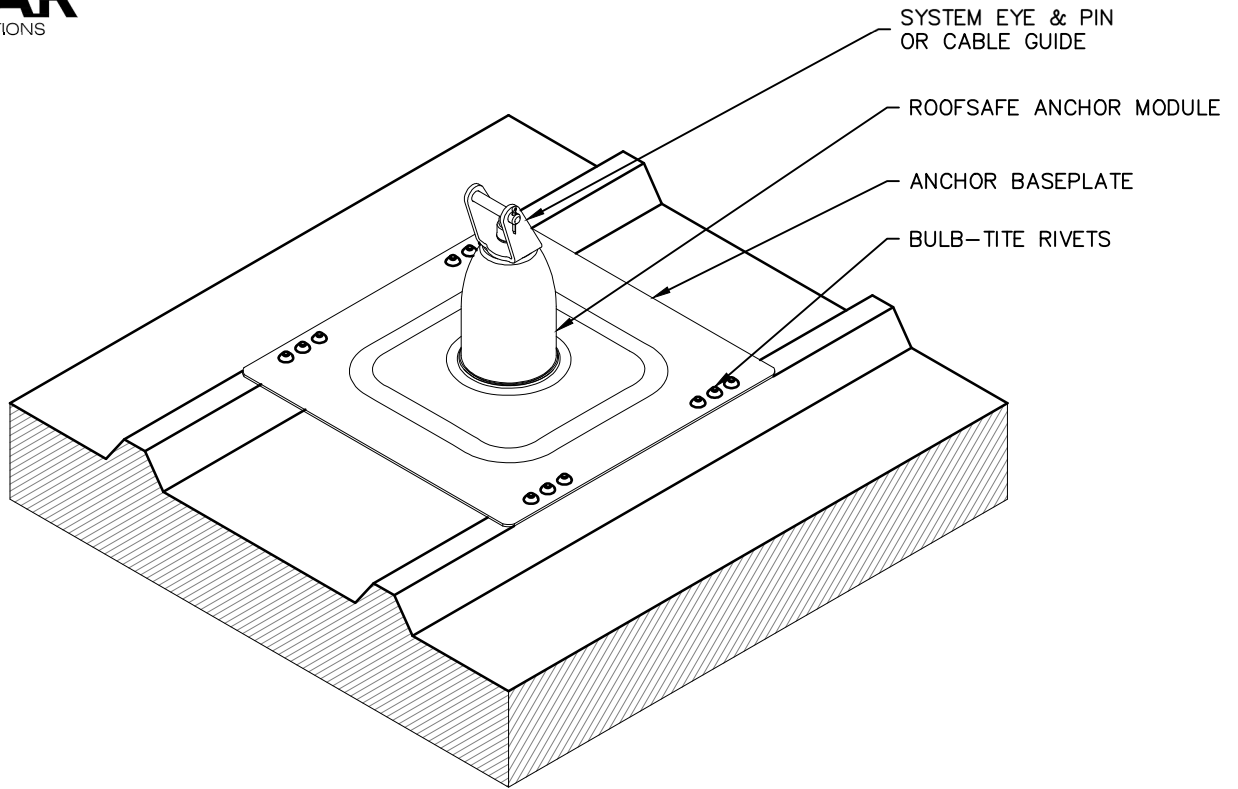


TECHNICAL DATA SHEET

ROOFSAFE ANCHOR - TRAPEZOIDAL ROOFING

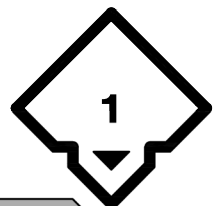
CTT061616

LINEAR
ACCESS SOLUTIONS



ROOFTOP ANCHOR

PROPRIETARY AND CONFIDENTIAL
The information contained in this drawing is the sole property of Rooftop Anchor, Inc. Any reproduction in part or as a whole without written permission of Rooftop Anchor, Inc. is prohibited.



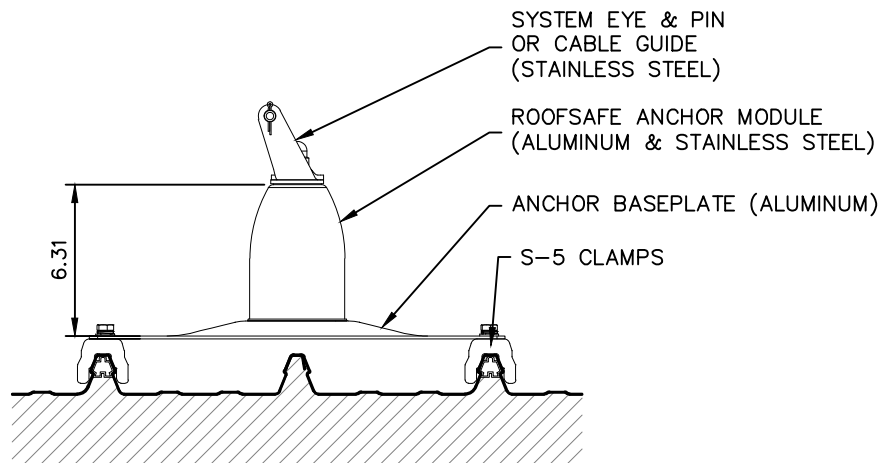
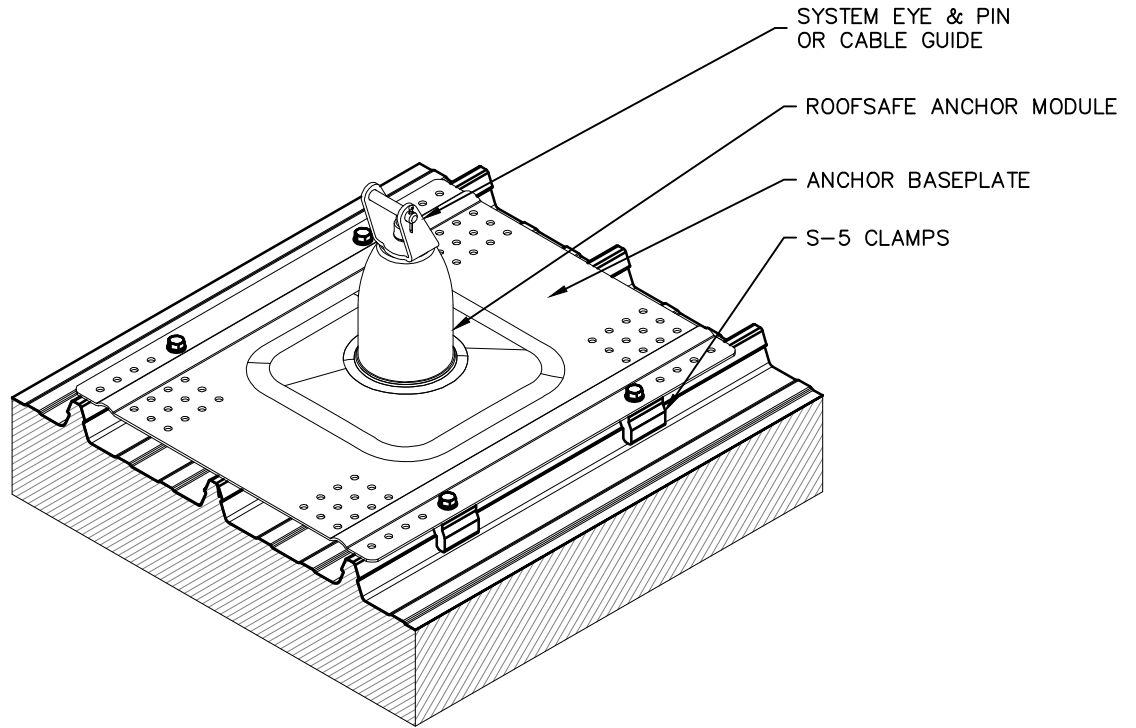


TECHNICAL DATA SHEET

ROOFSAFE ANCHOR - STANDING SEAM ROOFING

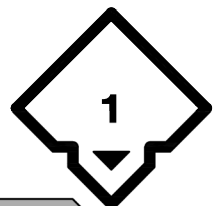
CST061616

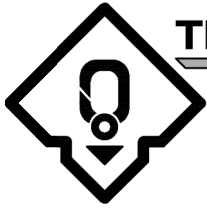
LINEAR
ACCESS SOLUTIONS



ROOFTOP ANCHOR

PROPRIETARY AND CONFIDENTIAL
The information contained in this drawing is the sole property of Rooftop Anchor, Inc. Any reproduction in part or as a whole without written permission of Rooftop Anchor, Inc. is prohibited.



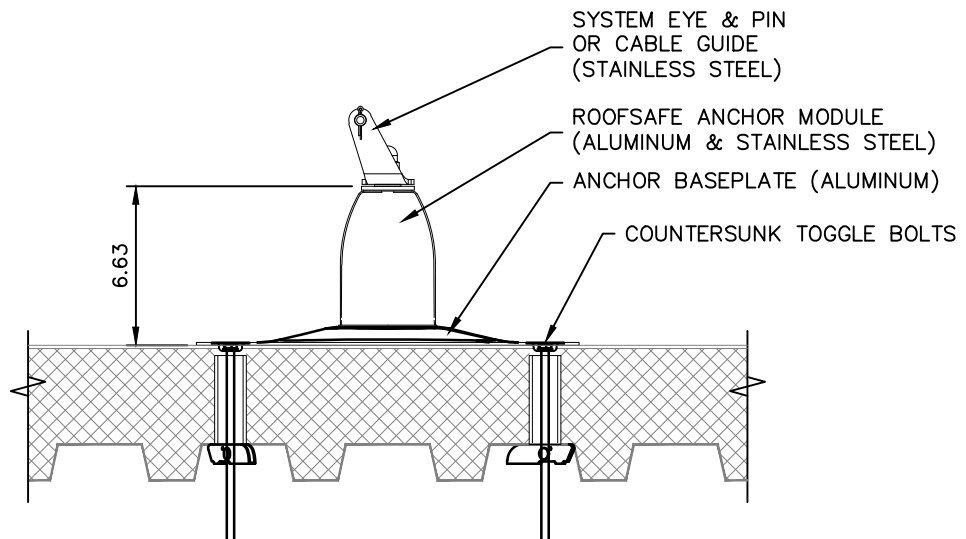
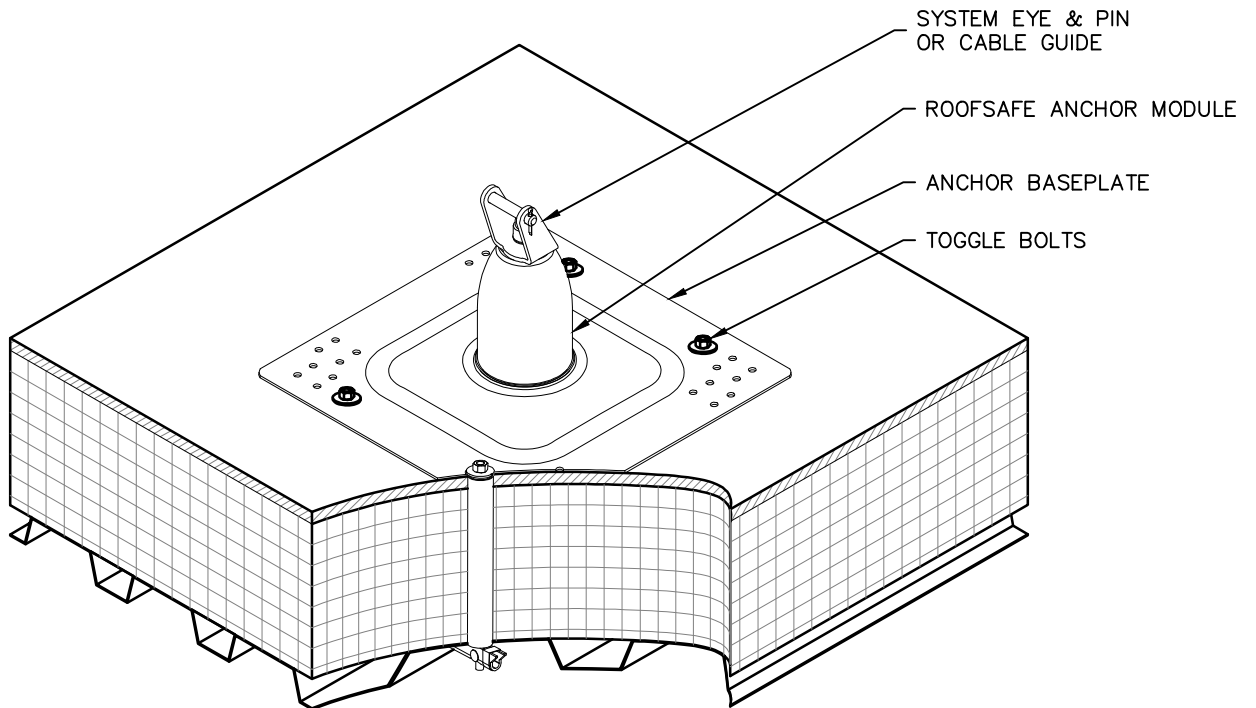


TECHNICAL DATA SHEET

ROOFSAFE ANCHOR - METAL DECK FIXINGS

CBT061616

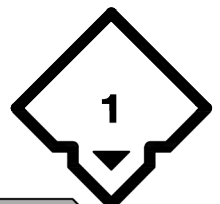
LINEAR
ACCESS SOLUTIONS



ROOFTOP ANCHOR

PROPRIETARY AND CONFIDENTIAL
The information contained in this drawing is the sole property of Rooftop Anchor, Inc. Any reproduction in part or as a whole without written permission of Rooftop Anchor, Inc. is prohibited.

EFFECTIVE: JANUARY 2016



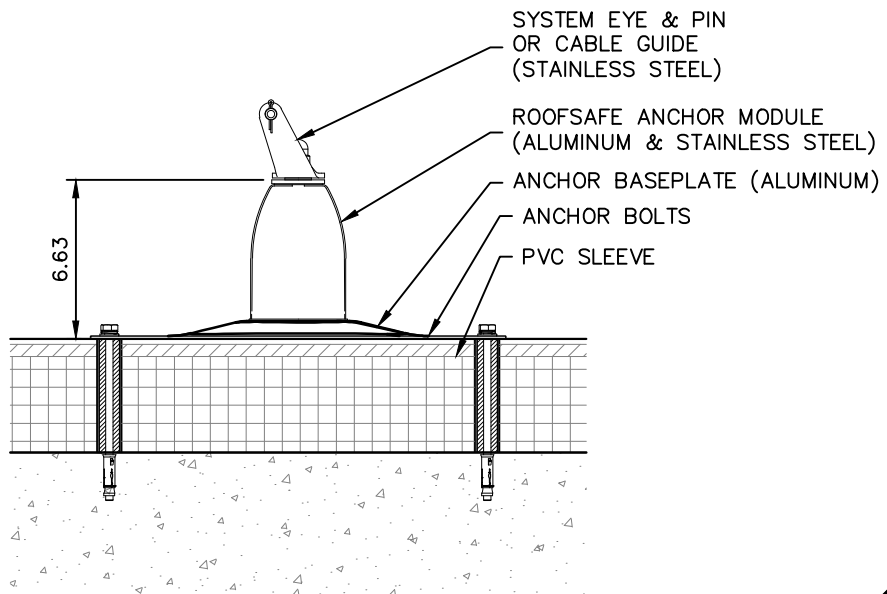
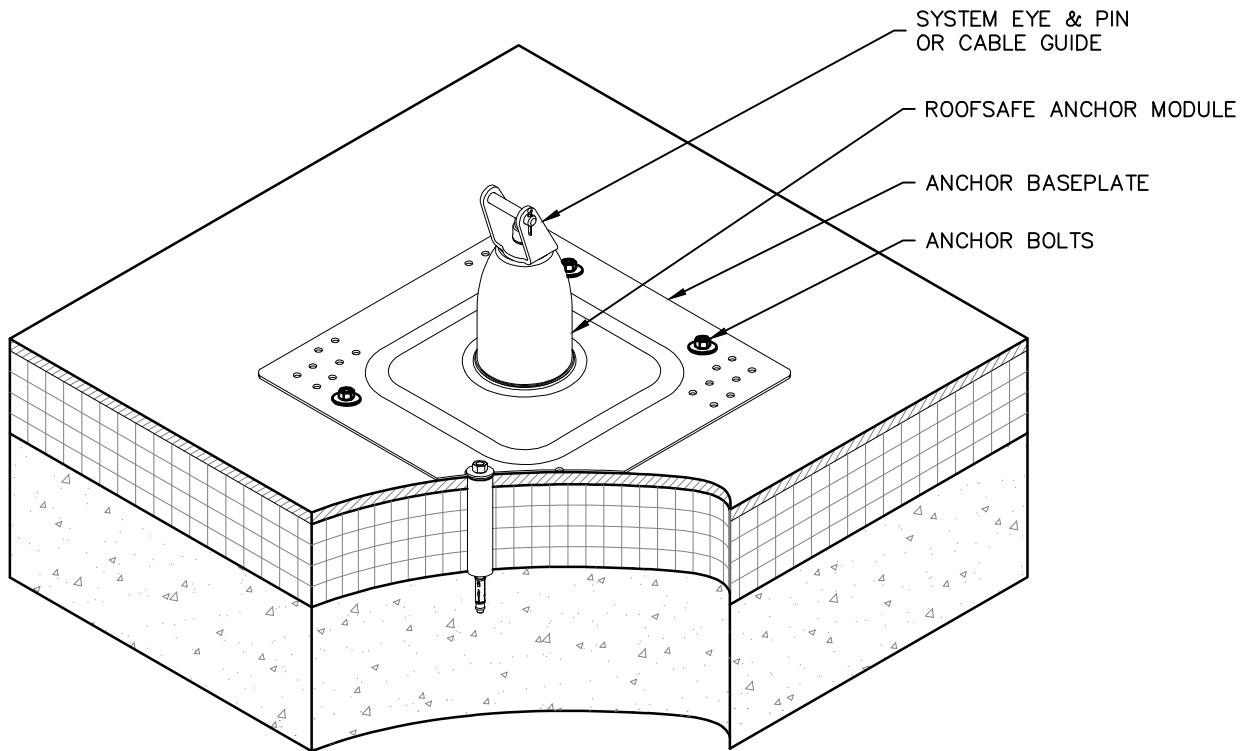


TECHNICAL DATA SHEET

ROOFSAFE ANCHOR - CONCRETE FIXINGS

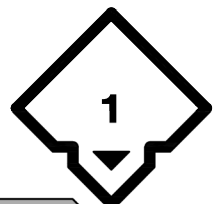
CBC061616

LINEAR
ACCESS SOLUTIONS

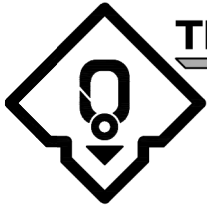


ROOFTOP ANCHOR

PROPRIETARY AND CONFIDENTIAL
The information contained in this drawing is the sole property of
Rooftop Anchor, Inc. Any reproduction in part or as a whole without
written permission of Rooftop Anchor, Inc. is prohibited.



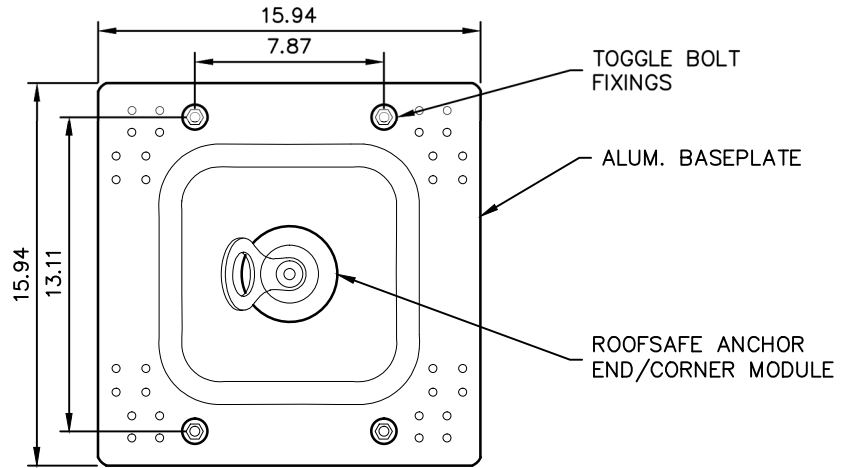
EFFECTIVE: JANUARY 2016



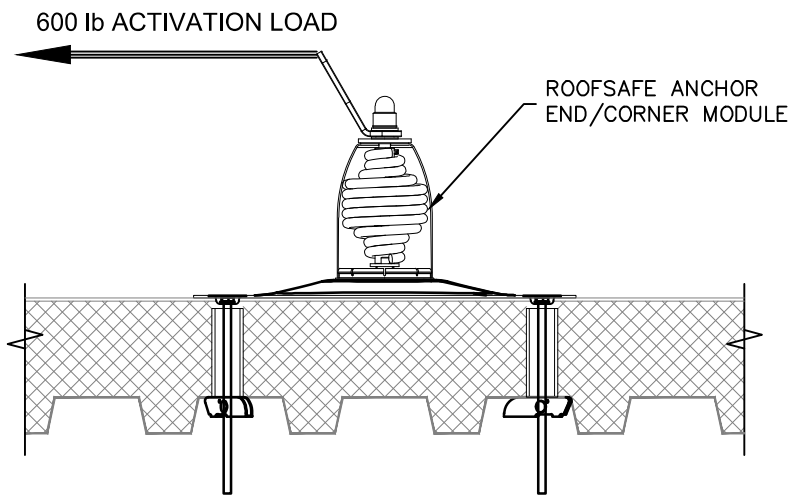
TECHNICAL DATA SHEET

FORCE MANAGEMENT ANCHOR - END/CORNER MODULE

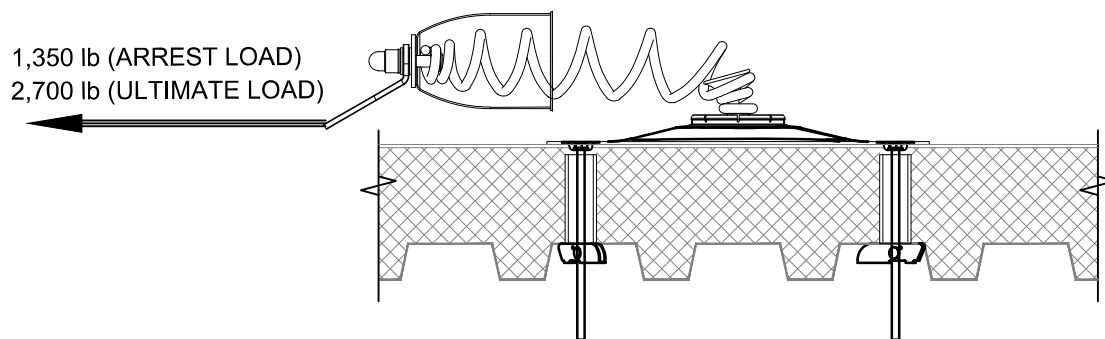
LINEAR
ACCESS SOLUTIONS



TOP VIEW



BEFORE DEPLOYMENT

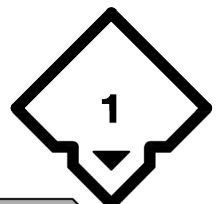


AFTER DEPLOYMENT

ROOFTOP ANCHOR

PROPRIETARY AND CONFIDENTIAL
The information contained in this drawing is the sole property of Rooftop Anchor, Inc. Any reproduction in part or as a whole without written permission of Rooftop Anchor, Inc. is prohibited.

EFFECTIVE: JANUARY 2016

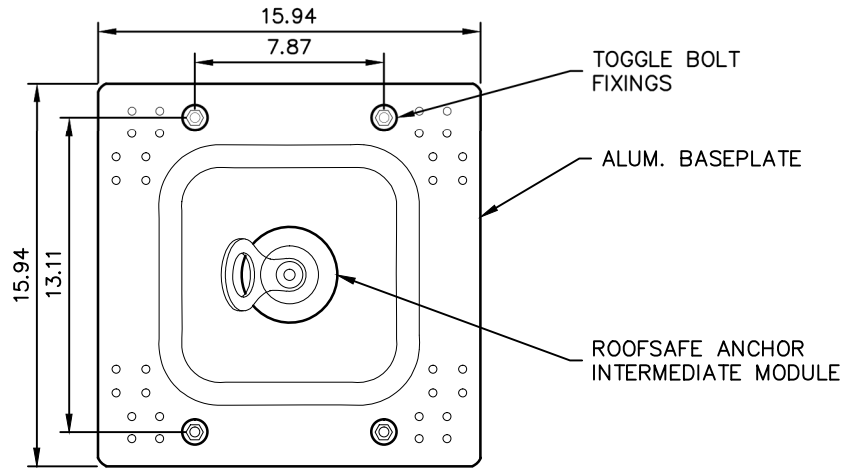




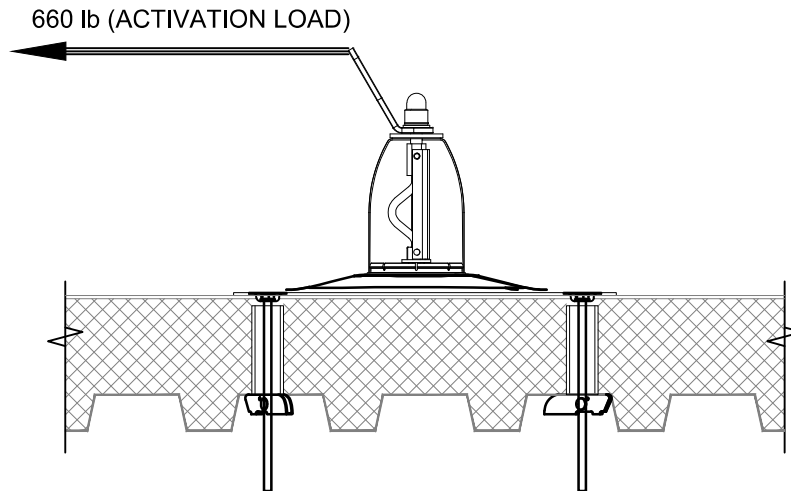
TECHNICAL DATA SHEET

FORCE MANAGEMENT ANCHOR - INTERMEDIATE MODULE

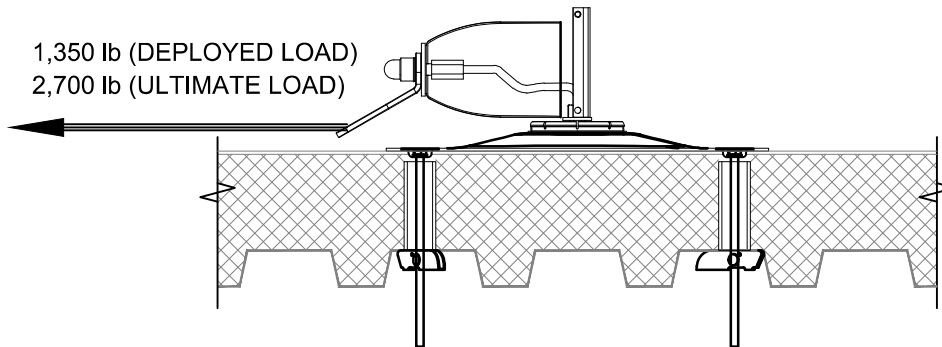
LINEAR
ACCESS SOLUTIONS



TOP VIEW



BEFORE DEPLOYMENT

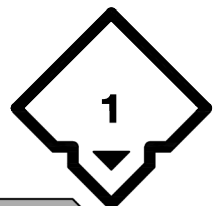


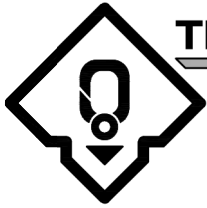
AFTER DEPLOYMENT

ROOFTOP ANCHOR

PROPRIETARY AND CONFIDENTIAL
The information contained in this drawing is the sole property of Rooftop Anchor, Inc. Any reproduction in part or as a whole without written permission of Rooftop Anchor, Inc. is prohibited.

EFFECTIVE: JANUARY 2016



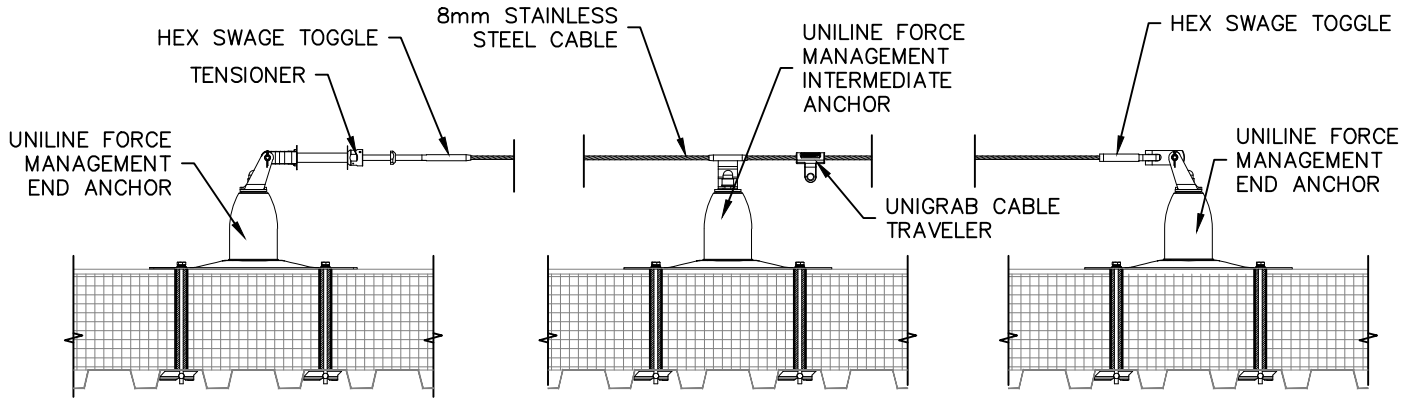


TECHNICAL DATA SHEET

FORCE MANAGEMENT ANCHOR CABLE SYSTEM

N/A

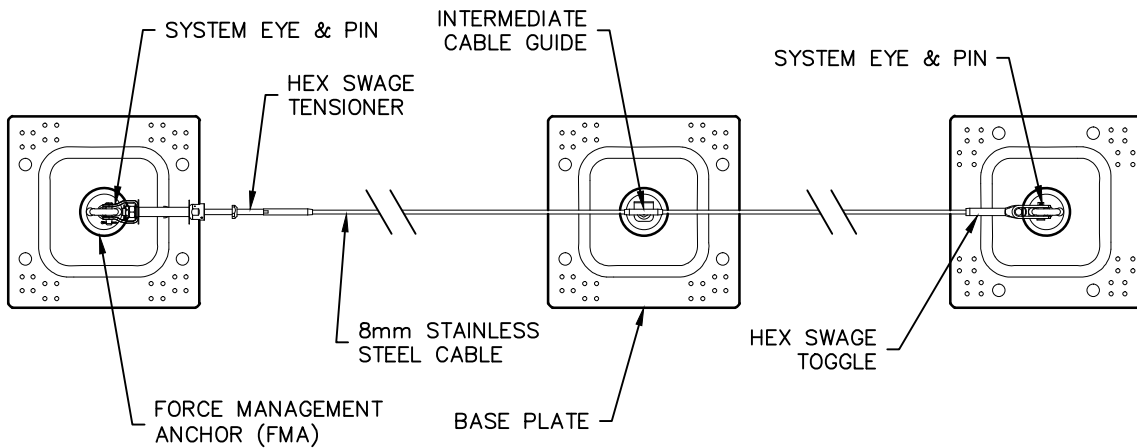
LINEAR
ACCESS SOLUTIONS



SYSTEM END (TENSIONER SIDE)

INTERMEDIATE POST

SYSTEM END (SWAGE SIDE)



ROOFTOP ANCHOR

PROPRIETARY AND CONFIDENTIAL
The information contained in this drawing is the sole property of Rooftop Anchor, Inc. Any reproduction in part or as a whole without written permission of Rooftop Anchor, Inc. is prohibited.

