

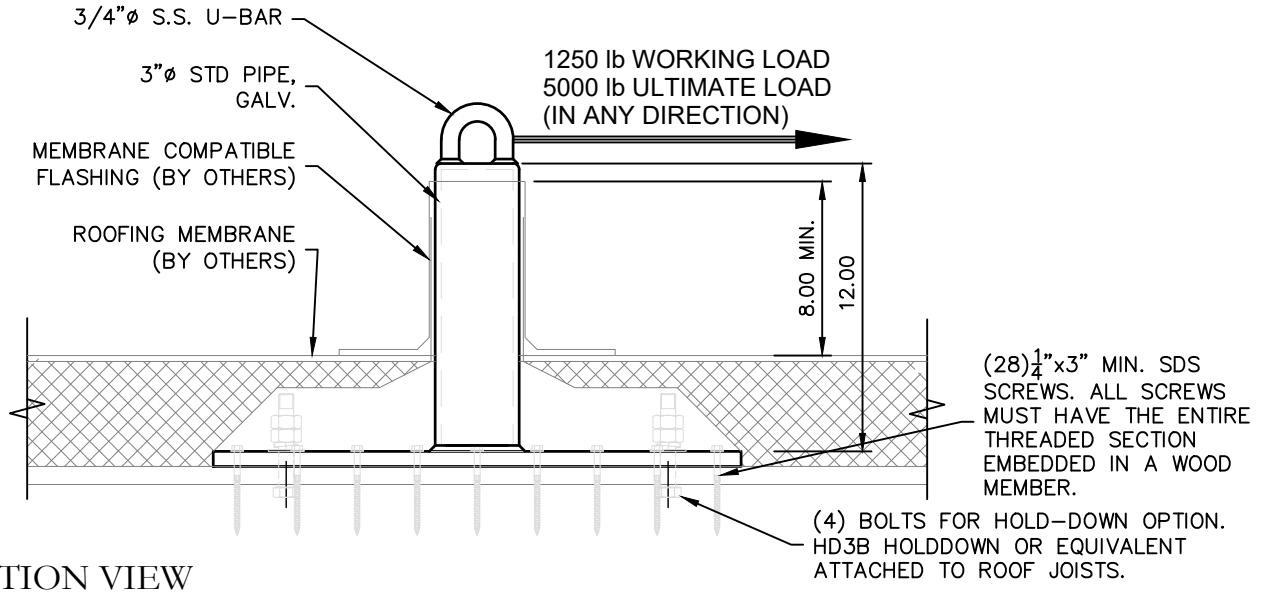


TECHNICAL DATA SHEET

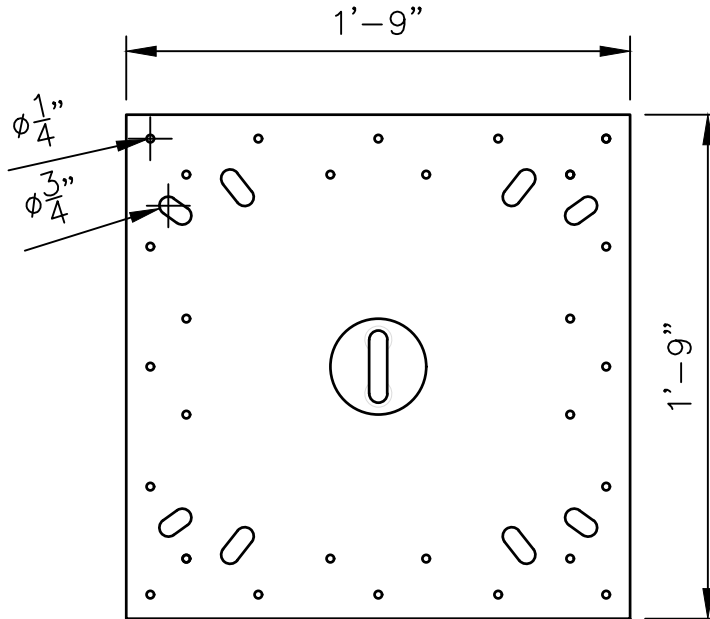
12" WOOD DECK ROOFTOP ANCHOR

RM120000

AXIS
ANCHOR PRODUCTS



SECTION VIEW

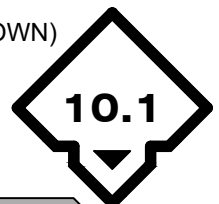


TOP VIEW

NOTES:

1. THE PROJECT STRUCTURAL ENGINEER IS RESPONSIBLE FOR THE DESIGN OF THE BUILDING STRUCTURE AND LOCAL REINFORCEMENT WHERE REQUIRED, TO WITHSTAND THE APPLIED LOADS OF THE ROOF SAFETY EQUIPMENT SUPPLIED BY ROOFTOP ANCHOR, INC.
2. FALL ARREST SAFETY ANCHORS ARE DESIGNED TO A TYPICAL MAXIMUM FALL ARRESTING FORCE OF 1,800 lbs WHEN WEARING A BODY HARNESS, WITH A FACTOR OF SAFETY OF 2 WITHOUT ANY PERMANENT DEFORMATION; AND TO 5,000 lbs AGAINST FRACTURE OR DETACHMENT.

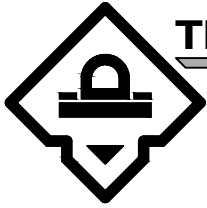
R]	ANCHOR TYPE (ROOFTOP)
M]	ATTACHMENT METHOD (WOOD)
1]	STANCHION HEIGHT: __" (12")
2]	
0]	ATTACHMENT: __
0]	(00 - SCREW; 01 - HOLD DOWN)
0]	
0]	UNUSED



ROOFTOP ANCHOR

PROPRIETARY AND CONFIDENTIAL

The information contained in this drawing is the sole property of Rooftop Anchor, Inc. Any reproduction in part or as a whole without written permission of Rooftop Anchor, Inc. is prohibited.

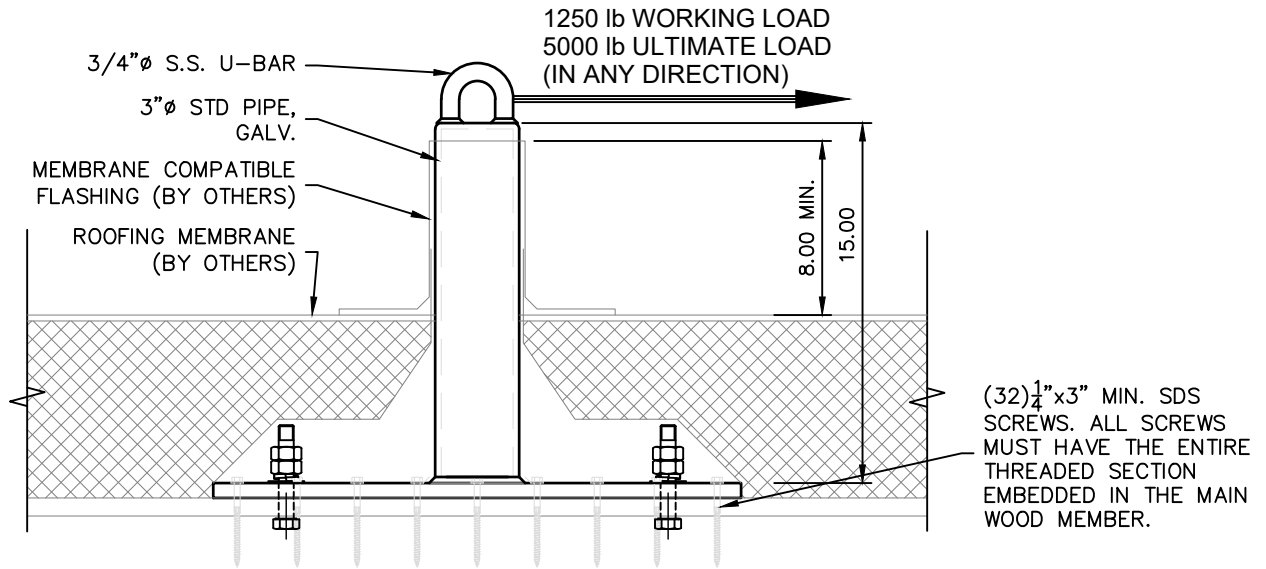


AXIS
ANCHOR PRODUCTS

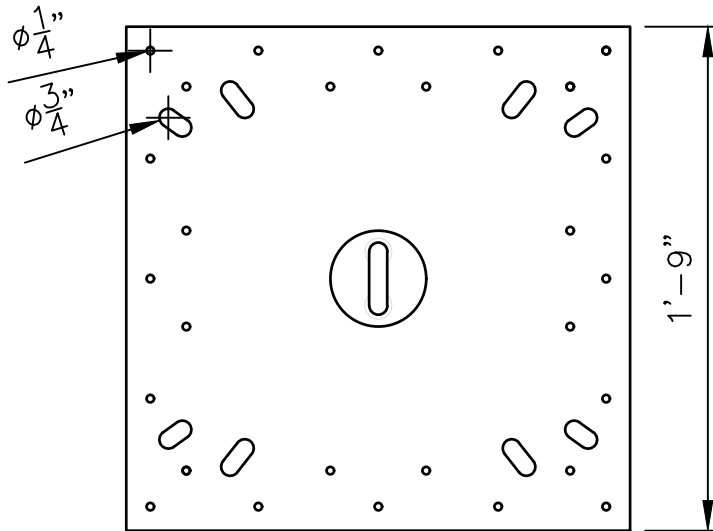
TECHNICAL DATA SHEET

15" WOOD DECK ROOFTOP ANCHOR

RM150000



SECTION VIEW

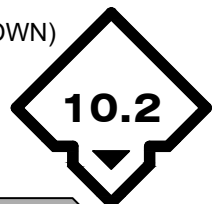


TOP VIEW

NOTES:

1. THE PROJECT STRUCTURAL ENGINEER IS RESPONSIBLE FOR THE DESIGN OF THE BUILDING STRUCTURE AND LOCAL REINFORCEMENT WHERE REQUIRED, TO WITHSTAND THE APPLIED LOADS OF THE ROOF SAFETY EQUIPMENT SUPPLIED BY ROOFTOP ANCHOR, INC.
2. FALL ARREST SAFETY ANCHORS ARE DESIGNED TO A TYPICAL MAXIMUM FALL ARRESTING FORCE OF 1,800 lbs WHEN WEARING A BODY HARNESS, WITH A FACTOR OF SAFETY OF 2 WITHOUT ANY PERMANENT DEFORMATION; AND TO 5,000 lbs AGAINST FRACTURE OR DETACHMENT.

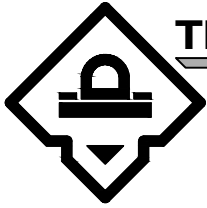
R	ANCHOR TYPE (ROOFTOP)
M	ATTACHMENT METHOD (WOOD)
1	STANCHION HEIGHT: __" (15")
5	ATTACHMENT: __
0	(00 - SCREW; 01 - HOLD DOWN)
0	UNUSED
0	
0	



ROOFTOP ANCHOR

PROPRIETARY AND CONFIDENTIAL

The information contained in this drawing is the sole property of Rooftop Anchor, Inc. Any reproduction in part or as a whole without written permission of Rooftop Anchor, Inc. is prohibited.

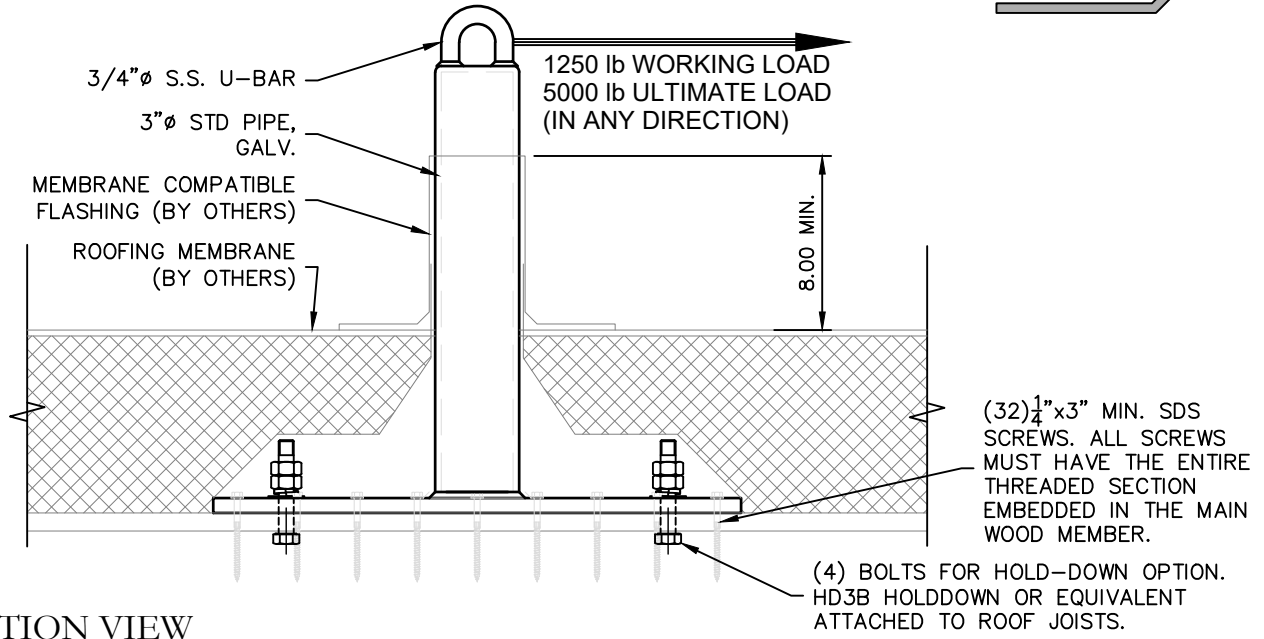


AXIS
ANCHOR PRODUCTS

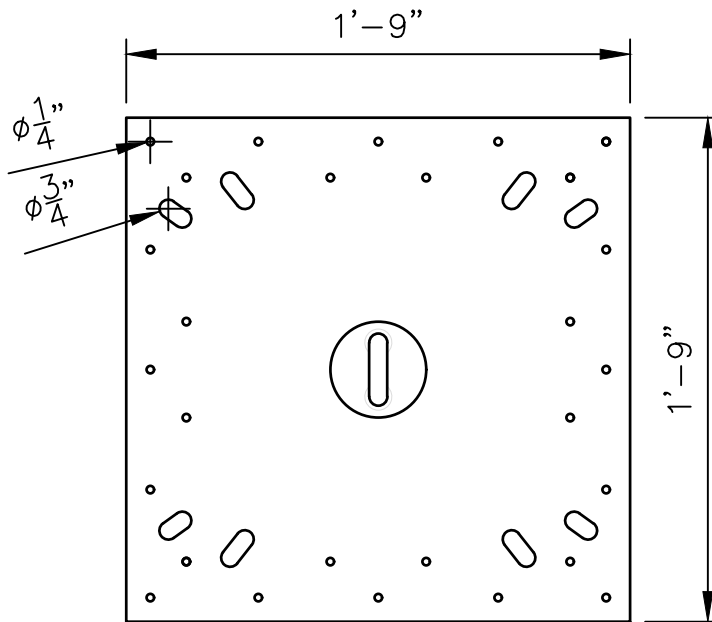
TECHNICAL DATA SHEET

18" WOOD DECK ROOFTOP ANCHOR

RM180000



SECTION VIEW

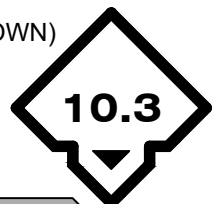


TOP VIEW

NOTES:

1. THE PROJECT STRUCTURAL ENGINEER IS RESPONSIBLE FOR THE DESIGN OF THE BUILDING STRUCTURE AND LOCAL REINFORCEMENT WHERE REQUIRED, TO WITHSTAND THE APPLIED LOADS OF THE ROOF SAFETY EQUIPMENT SUPPLIED BY ROOFTOP ANCHOR, INC.
2. FALL ARREST SAFETY ANCHORS ARE DESIGNED TO A TYPICAL MAXIMUM FALL ARRESTING FORCE OF 1,800 lbs WHEN WEARING A BODY HARNESS, WITH A FACTOR OF SAFETY OF 2 WITHOUT ANY PERMANENT DEFORMATION; AND TO 5,000 lbs AGAINST FRACTURE OR DETACHMENT.

R]	ANCHOR TYPE (ROOFTOP)
M]	ATTACHMENT METHOD (WOOD)
1]	STANCHION HEIGHT: __" (18")
8]	
0]	ATTACHMENT: __
0]	(00 - SCREW; 01 - HOLD DOWN)
0]	
0]	UNUSED



ROOFTOP ANCHOR

PROPRIETARY AND CONFIDENTIAL

The information contained in this drawing is the sole property of Rooftop Anchor, Inc. Any reproduction in part or as a whole without written permission of Rooftop Anchor, Inc. is prohibited.

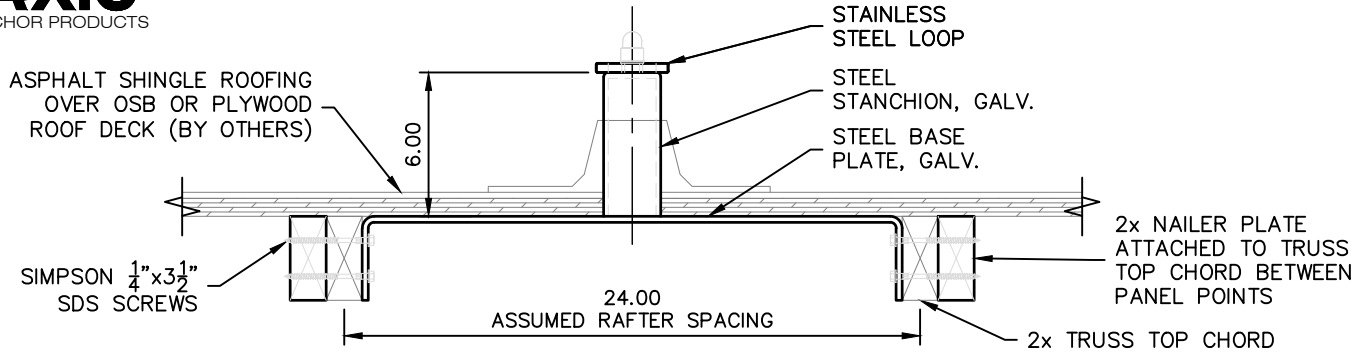


TECHNICAL DATA SHEET

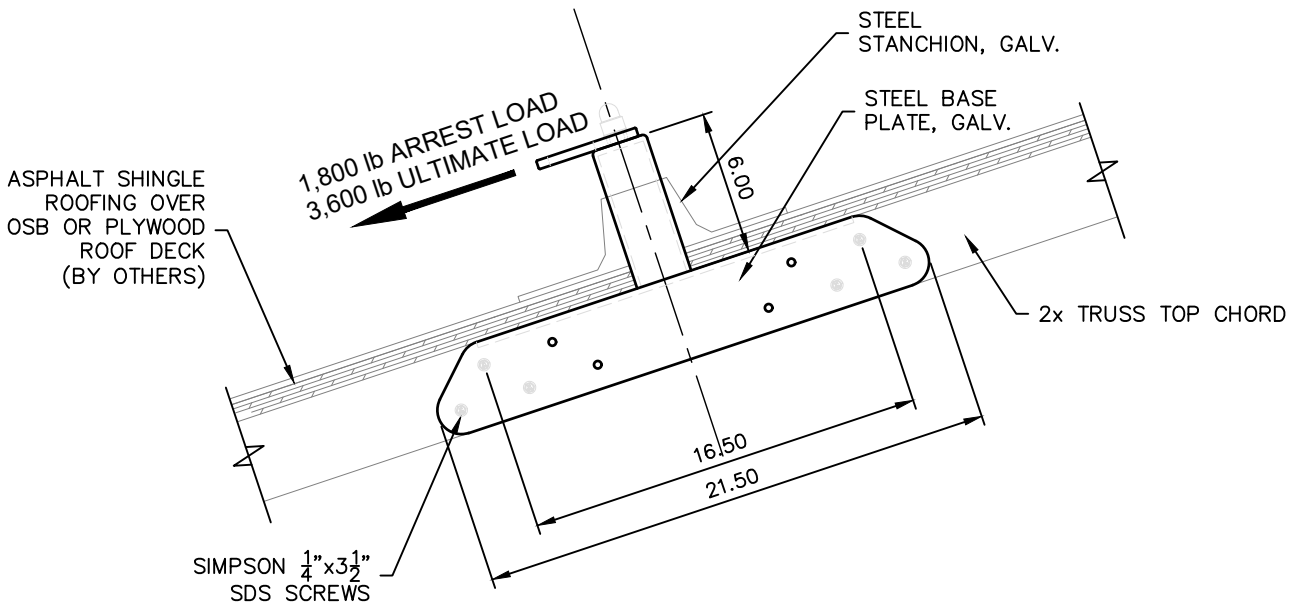
WOOD UNDERMOUNT ANCHOR (24" RAFTER SPACING)

RN062400

AXIS
ANCHOR PRODUCTS



SECTION VIEW



SIDE VIEW

NOTES:

1. THE PROJECT STRUCTURAL ENGINEER IS RESPONSIBLE FOR THE DESIGN OF THE BUILDING STRUCTURE AND LOCAL REINFORCEMENT WHERE REQUIRED, TO WITHSTAND THE APPLIED LOADS OF THE ROOF SAFETY EQUIPMENT SUPPLIED BY ROOFTOP ANCHOR, INC.
2. FALL ARREST SAFETY ANCHORS ARE DESIGNED TO A TYPICAL MAXIMUM FALL ARRESTING FORCE OF 1,800 lbs WHEN WEARING A BODY HARNESS, WITH A FACTOR OF SAFETY OF 2 WITHOUT ANY PERMANENT DEFORMATION; AND TO 5,000 lbs AGAINST FRACTURE OR DETACHMENT.

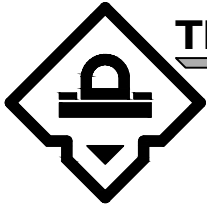
R	ANCHOR TYPE: (ANCHOR)
N	ATTACHMENT METHOD (WOOD SLOPED)
0	STANCHION HEIGHT: __" (06")
6	
2	RAFTER SPACING: __" (24")
4	
0	UNUSED
0	

ROOFTOP ANCHOR

PROPRIETARY AND CONFIDENTIAL

The information contained in this drawing is the sole property of Rooftop Anchor, Inc. Any reproduction in part or as a whole without written permission of Rooftop Anchor, Inc. is prohibited.





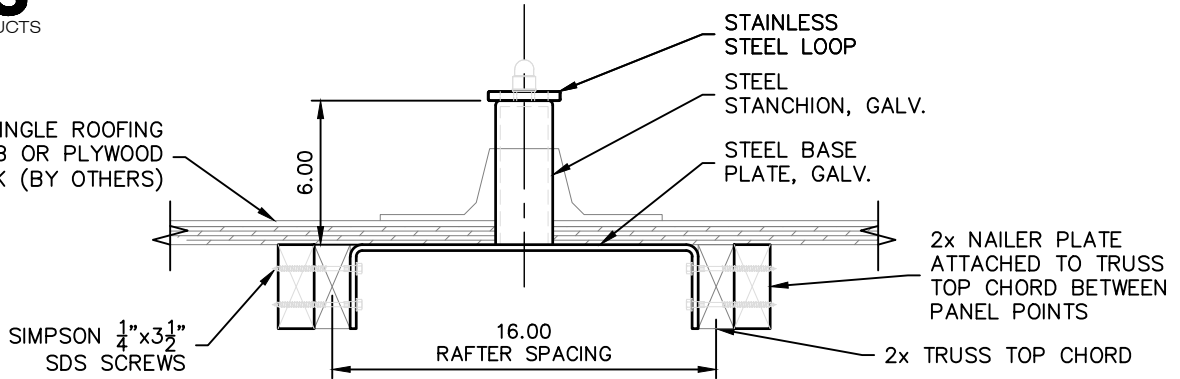
TECHNICAL DATA SHEET

WOOD UNDERMOUNT ANCHOR (16" RAFTER SPACING)

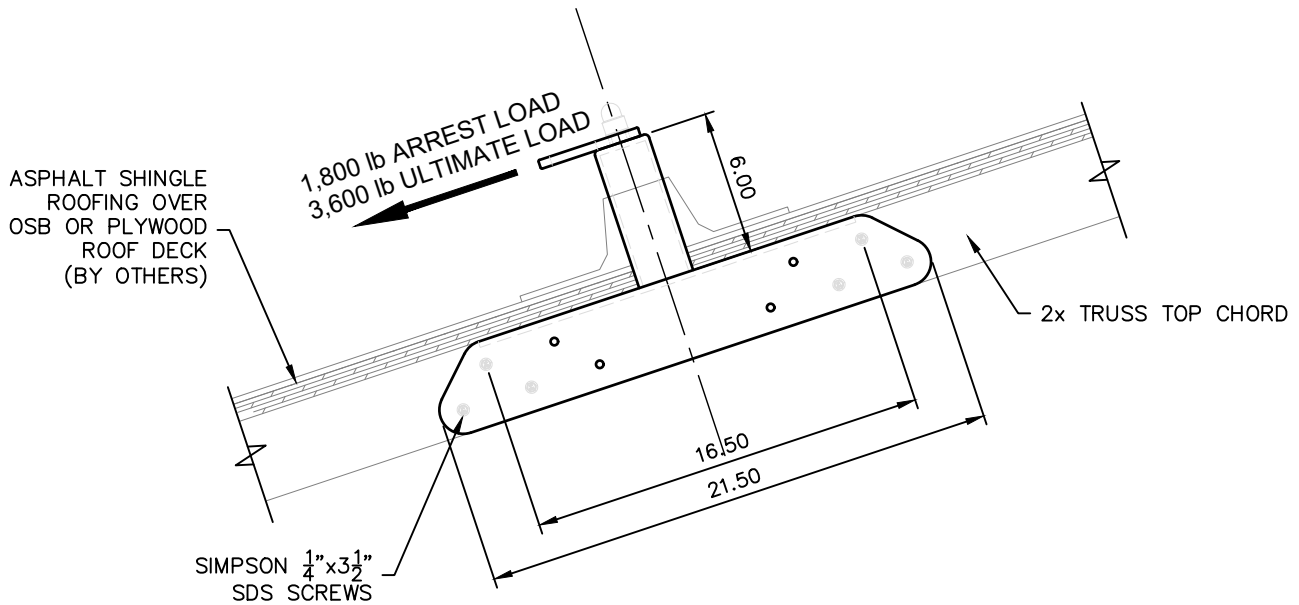
RN061600

AXIS
ANCHOR PRODUCTS

ASPHALT SHINGLE ROOFING
OVER OSB OR PLYWOOD
ROOF DECK (BY OTHERS)



SECTION VIEW



SIDE VIEW

NOTES:

1. THE PROJECT STRUCTURAL ENGINEER IS RESPONSIBLE FOR THE DESIGN OF THE BUILDING STRUCTURE AND LOCAL REINFORCEMENT WHERE REQUIRED, TO WITHSTAND THE APPLIED LOADS OF THE ROOF SAFETY EQUIPMENT SUPPLIED BY ROOFTOP ANCHOR, INC.
2. FALL ARREST SAFETY ANCHORS ARE DESIGNED TO A TYPICAL MAXIMUM FALL ARRESTING FORCE OF 1,800 lbs WHEN WEARING A BODY HARNESS, WITH A FACTOR OF SAFETY OF 2 WITHOUT ANY PERMANENT DEFORMATION; AND TO 5,000 lbs AGAINST FRACTURE OR DETACHMENT.

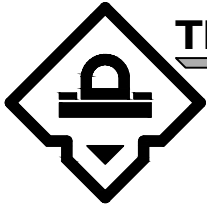
R]	ANCHOR TYPE: (ANCHOR)
N]	ATTACHMENT METHOD (WOOD SLOPED)
0]	STANCHION HEIGHT: __" (06")
6]	
1]	RAFTER SPACING: __" (16")
6]	
0]	UNUSED
0]	

ROOFTOP ANCHOR

PROPRIETARY AND CONFIDENTIAL

The information contained in this drawing is the sole property of Rooftop Anchor, Inc. Any reproduction in part or as a whole without written permission of Rooftop Anchor, Inc. is prohibited.



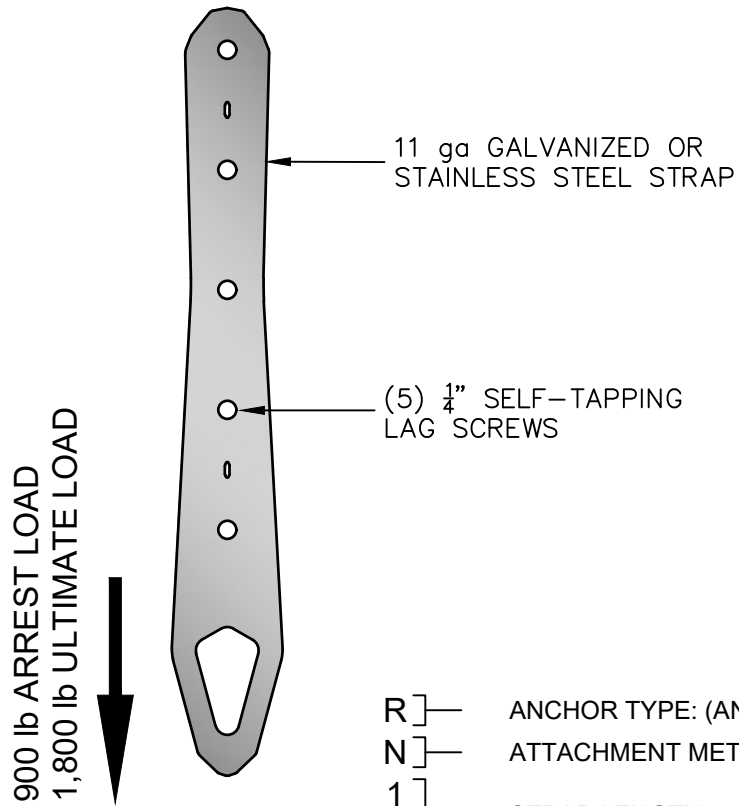
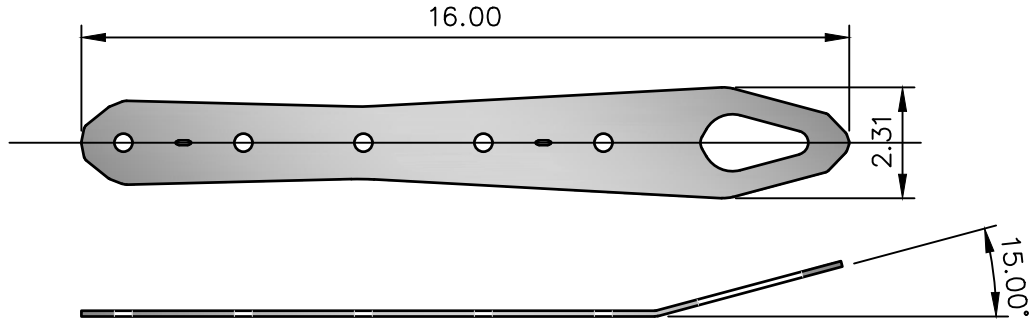


TECHNICAL DATA SHEET

16" AXIS STRAP ANCHOR - AXIS VIPER

RN16020305

AXIS
ANCHOR PRODUCTS



NOTES:

1. THE PROJECT STRUCTURAL ENGINEER IS RESPONSIBLE FOR THE DESIGN OF THE BUILDING STRUCTURE AND LOCAL REINFORCEMENT WHERE REQUIRED, TO WITHSTAND THE APPLIED LOADS OF THE ROOF SAFETY EQUIPMENT SUPPLIED BY ROOFTOP ANCHOR, INC.
2. FALL ARREST SAFETY ANCHORS ARE DESIGNED TO A TYPICAL MAXIMUM FALL ARRESTING FORCE OF 900 lbs WHEN WEARING A BODY HARNESS, WITH A FACTOR OF SAFETY OF 2 WITHOUT ANY PERMANENT DEFORMATION; AND TO 1,800 lbs AGAINST FRACTURE OR DETACHMENT.
3. THIS ANCHORAGE IS NOT INTENDED TO BE USED FOR SUSPENDED ACCESS ACTIVITIES

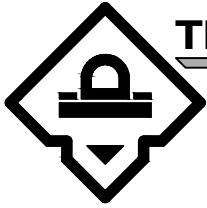
R	ANCHOR TYPE: (ANCHOR)
N	ATTACHMENT METHOD (WOOD SLOPED)
1	STRAP LENGTH: __" (16")
6	
0	STRAP WIDTH: __" (02")
2	
0	# OF FASTENERS: __ (05)
5	

ROOFTOP ANCHOR

PROPRIETARY AND CONFIDENTIAL

The information contained in this drawing is the sole property of Rooftop Anchor, Inc. Any reproduction in part or as a whole without written permission of Rooftop Anchor, Inc. is prohibited.



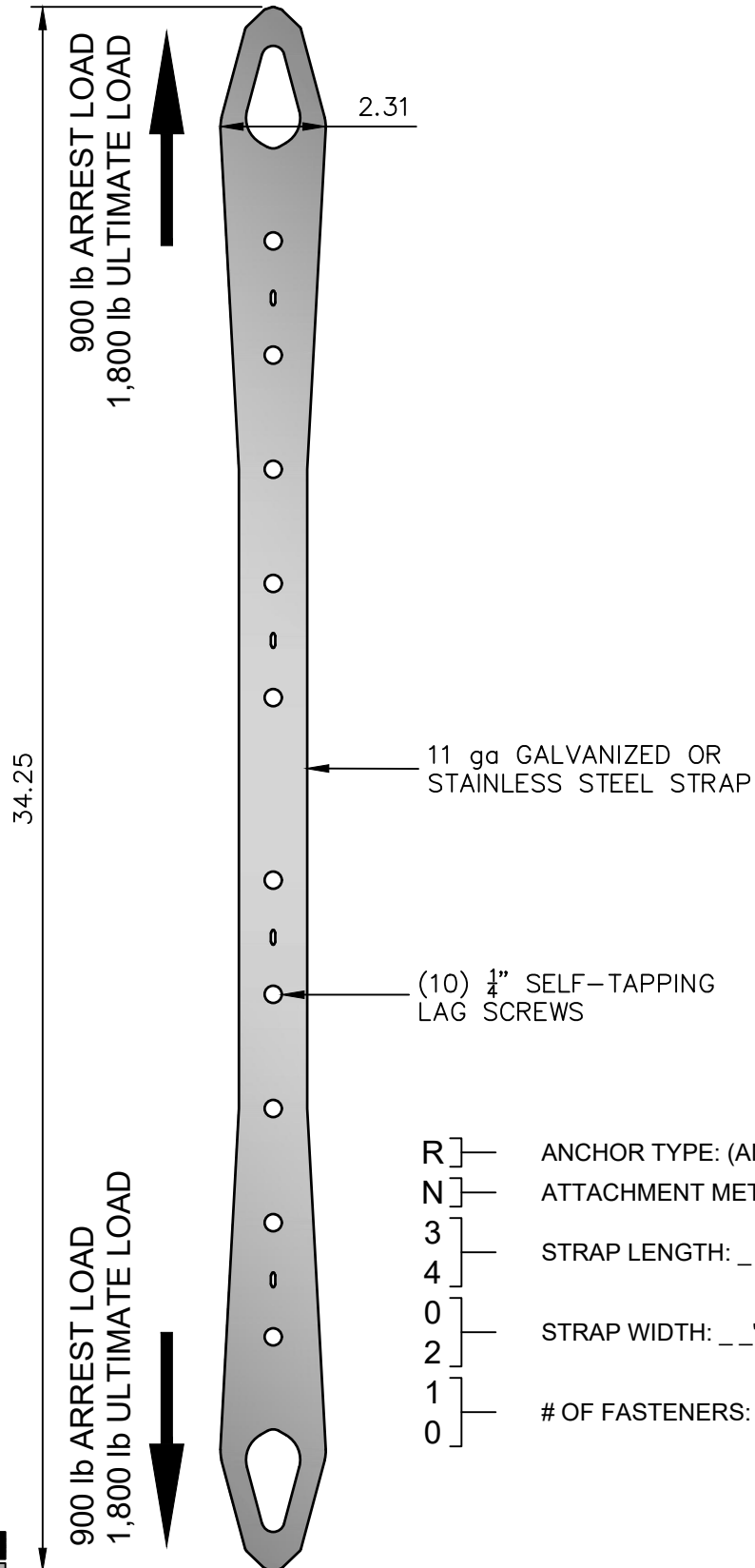


TECHNICAL DATA SHEET

34" AXIS STRAP ANCHOR - AXIS VIPER 2

RN340210

AXIS
ANCHOR PRODUCTS



NOTES:

1. THE PROJECT STRUCTURAL ENGINEER IS RESPONSIBLE FOR THE DESIGN OF THE BUILDING STRUCTURE AND LOCAL REINFORCEMENT WHERE REQUIRED, TO WITHSTAND THE APPLIED LOADS OF THE ROOF SAFETY EQUIPMENT SUPPLIED BY ROOFTOP ANCHOR, INC.
2. FALL ARREST SAFETY ANCHORS ARE DESIGNED TO A TYPICAL MAXIMUM FALL ARRESTING FORCE OF 900 lbs WHEN WEARING A BODY HARNESS, WITH A FACTOR OF SAFETY OF 2 WITHOUT ANY PERMANENT DEFORMATION; AND TO 1,800 lbs AGAINST FRACTURE OR DETACHMENT.
3. THIS ANCHORAGE IS NOT INTENDED TO BE USED FOR SUSPENDED ACCESS ACTIVITIES

R	ANCHOR TYPE: (ANCHOR)
N	ATTACHMENT METHOD (WOOD SLOPED)
3	STRAP LENGTH: __" (34")
4	
0	STRAP WIDTH: __" (02")
2	
1	# OF FASTENERS: __ (10)
0	



PROPRIETARY AND CONFIDENTIAL

The information contained in this drawing is the sole property of Rooftop Anchor, Inc. Any reproduction in part or as a whole without written permission of Rooftop Anchor, Inc. is prohibited.

