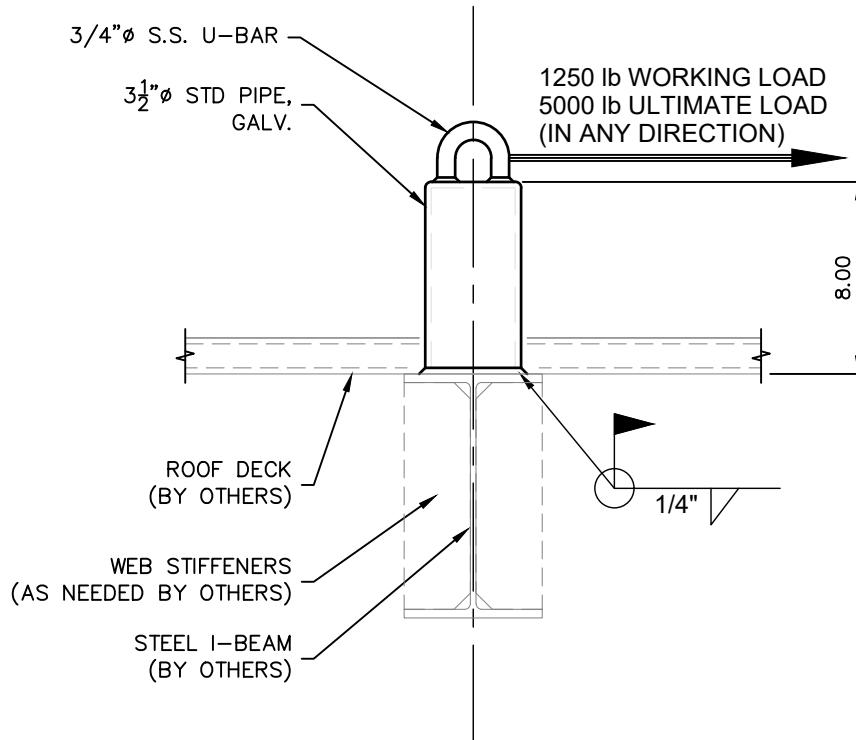


TECHNICAL DATA SHEET

8" WELDABLE ROOFTOP ANCHOR

RW080000

AXIS
ANCHOR PRODUCTS



NOTES:

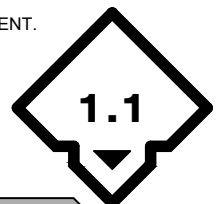
1. THE PROJECT STRUCTURAL ENGINEER IS RESPONSIBLE FOR THE DESIGN OF THE BUILDING STRUCTURE AND LOCAL REINFORCEMENT WHERE REQUIRED, TO WITHSTAND THE APPLIED LOADS OF THE ROOF SAFETY EQUIPMENT SUPPLIED BY ROOFTOP ANCHOR, INC.
2. FALL ARREST SAFETY ANCHORS ARE DESIGNED TO A TYPICAL MAXIMUM FALL ARRESTING FORCE OF 1,800 lbs WHEN WEARING A BODY HARNESS, WITH A FACTOR OF SAFETY OF 2 WITHOUT ANY PERMANENT DEFORMATION; AND TO 5,000 lbs AGAINST FRACTURE OR DETACHMENT.

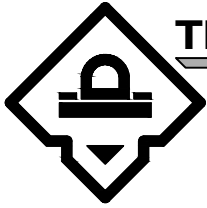
ROOFTOP ANCHOR

PROPRIETARY AND CONFIDENTIAL

The information contained in this drawing is the sole property of Rooftop Anchor, Inc. Any reproduction in part or as a whole without written permission of Rooftop Anchor, Inc. is prohibited.

EFFECTIVE: JANUARY 2017



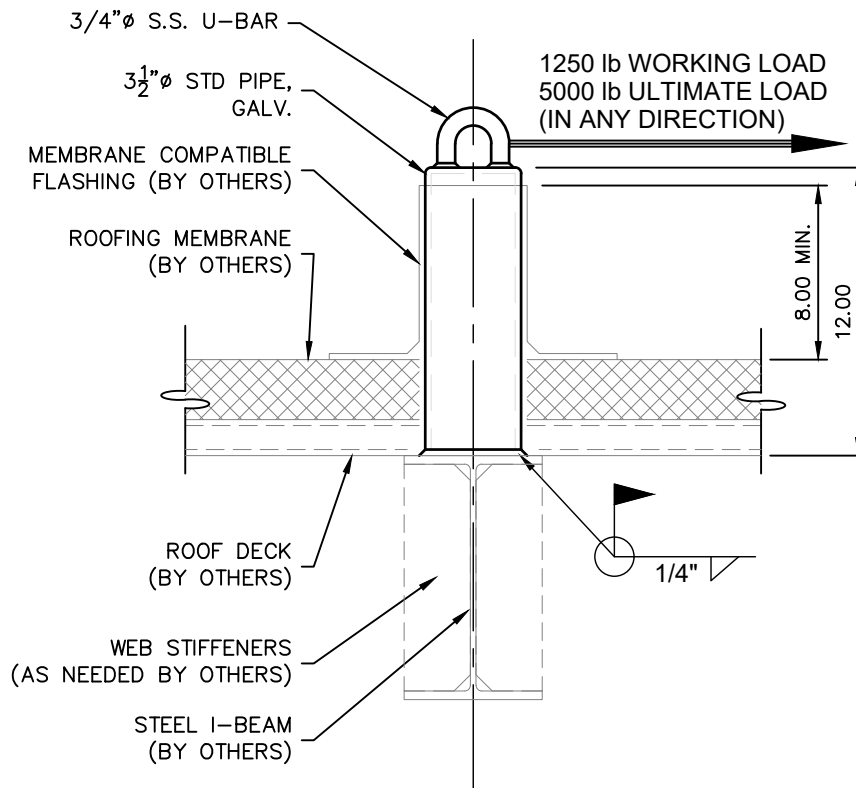


TECHNICAL DATA SHEET

12" WELDABLE ROOFTOP ANCHOR

RW120000

AXIS
ANCHOR PRODUCTS



NOTES:

1. THE PROJECT STRUCTURAL ENGINEER IS RESPONSIBLE FOR THE DESIGN OF THE BUILDING STRUCTURE AND LOCAL REINFORCEMENT WHERE REQUIRED, TO WITHSTAND THE APPLIED LOADS OF THE ROOF SAFETY EQUIPMENT SUPPLIED BY ROOFTOP ANCHOR, INC.
2. FALL ARREST SAFETY ANCHORS ARE DESIGNED TO A TYPICAL MAXIMUM FALL ARRESTING FORCE OF 1,800 lbs WHEN WEARING A BODY HARNESS, WITH A FACTOR OF SAFETY OF 2 WITHOUT ANY PERMANENT DEFORMATION; AND TO 5,000 lbs AGAINST FRACTURE OR DETACHMENT.

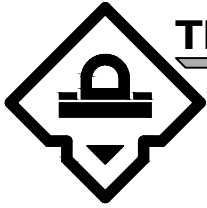
ROOFTOP ANCHOR

PROPRIETARY AND CONFIDENTIAL

The information contained in this drawing is the sole property of Rooftop Anchor, Inc. Any reproduction in part or as a whole without written permission of Rooftop Anchor, Inc. is prohibited.

EFFECTIVE: JANUARY 2017



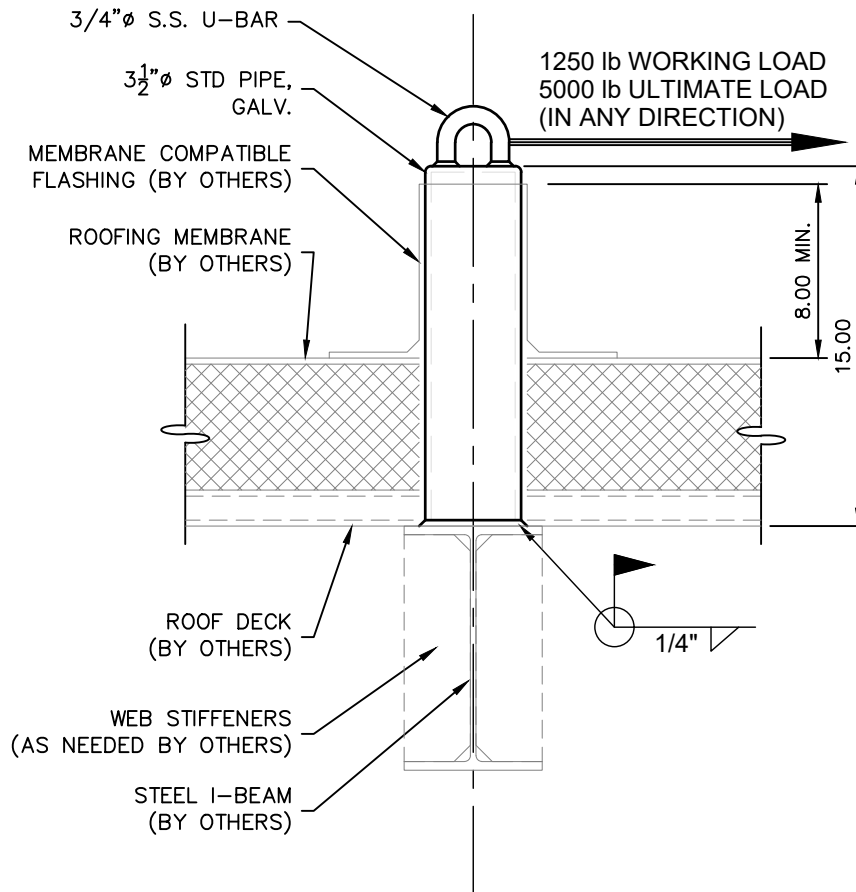


TECHNICAL DATA SHEET

15" WELDABLE ROOFTOP ANCHOR

RW150000

AXIS
ANCHOR PRODUCTS



NOTES:

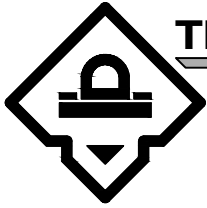
1. THE PROJECT STRUCTURAL ENGINEER IS RESPONSIBLE FOR THE DESIGN OF THE BUILDING STRUCTURE AND LOCAL REINFORCEMENT WHERE REQUIRED, TO WITHSTAND THE APPLIED LOADS OF THE ROOF SAFETY EQUIPMENT SUPPLIED BY ROOFTOP ANCHOR, INC.
2. FALL ARREST SAFETY ANCHORS ARE DESIGNED TO A TYPICAL MAXIMUM FALL ARRESTING FORCE OF 1,800 lbs WHEN WEARING A BODY HARNESS, WITH A FACTOR OF SAFETY OF 2 WITHOUT ANY PERMANENT DEFORMATION; AND TO 5,000 lbs AGAINST FRACTURE OR DETACHMENT.

ROOFTOP ANCHOR

PROPRIETARY AND CONFIDENTIAL

The information contained in this drawing is the sole property of Rooftop Anchor, Inc. Any reproduction in part or as a whole without written permission of Rooftop Anchor, Inc. is prohibited.



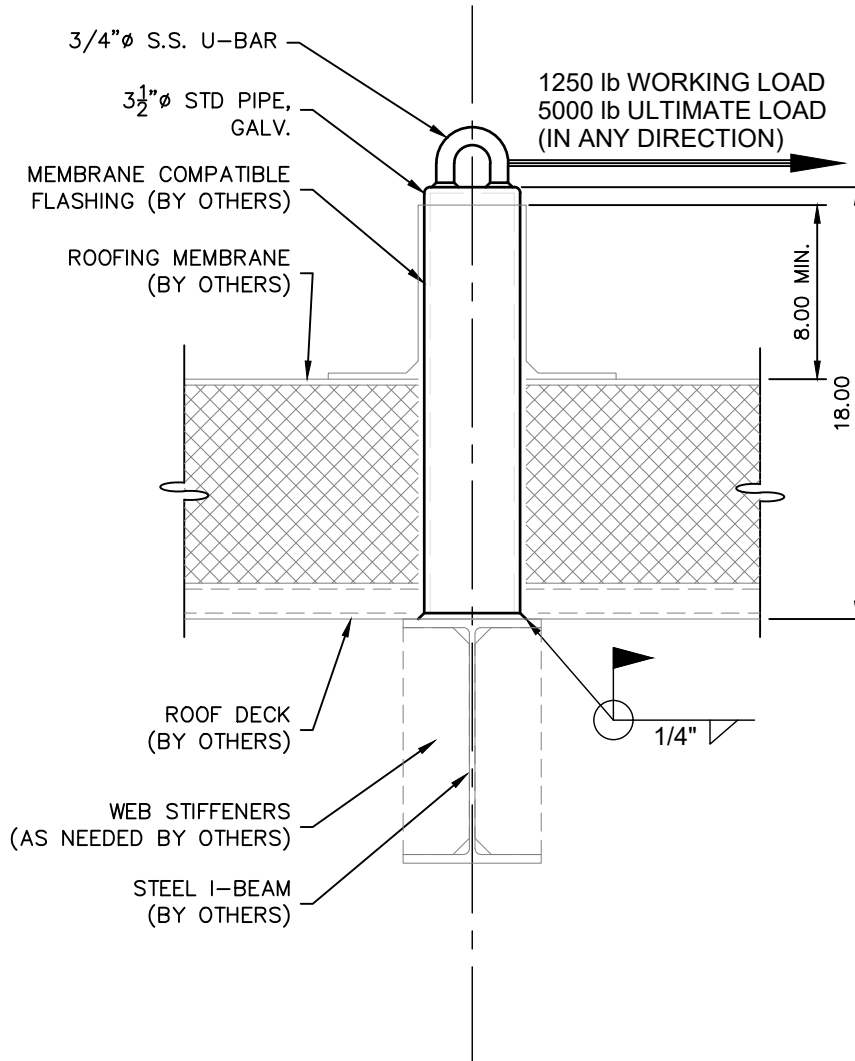


TECHNICAL DATA SHEET

18" WELDABLE ROOFTOP ANCHOR

RW180000

AXIS
ANCHOR PRODUCTS



NOTES:

1. THE PROJECT STRUCTURAL ENGINEER IS RESPONSIBLE FOR THE DESIGN OF THE BUILDING STRUCTURE AND LOCAL REINFORCEMENT WHERE REQUIRED, TO WITHSTAND THE APPLIED LOADS OF THE ROOF SAFETY EQUIPMENT SUPPLIED BY ROOFTOP ANCHOR, INC.
2. FALL ARREST SAFETY ANCHORS ARE DESIGNED TO A TYPICAL MAXIMUM FALL ARRESTING FORCE OF 1,800 lbs WHEN WEARING A BODY HARNESS, WITH A FACTOR OF SAFETY OF 2 WITHOUT ANY PERMANENT DEFORMATION; AND TO 5,000 lbs AGAINST FRACTURE OR DETACHMENT.

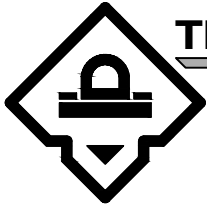
ROOFTOP ANCHOR

PROPRIETARY AND CONFIDENTIAL

The information contained in this drawing is the sole property of Rooftop Anchor, Inc. Any reproduction in part or as a whole without written permission of Rooftop Anchor, Inc. is prohibited.

EFFECTIVE: JANUARY 2017



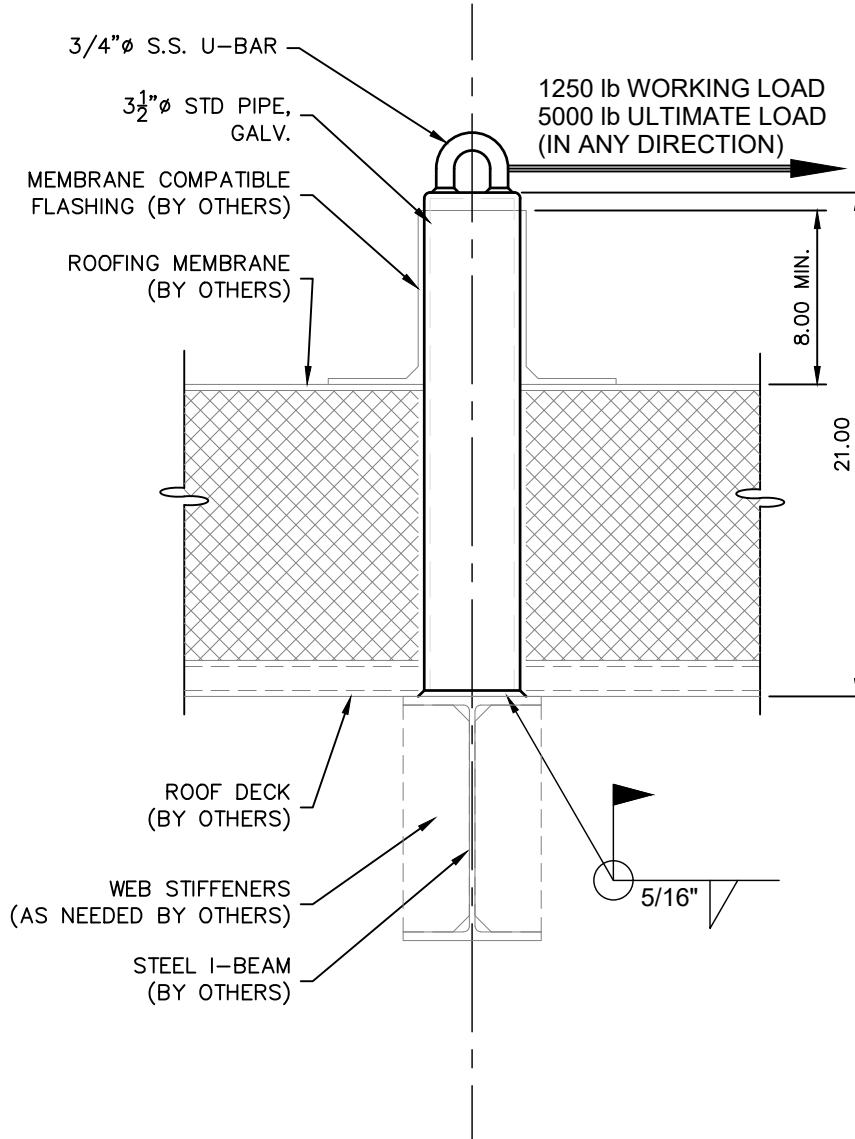


TECHNICAL DATA SHEET

21" WELDABLE ROOFTOP ANCHOR

RW210000

AXIS
ANCHOR PRODUCTS



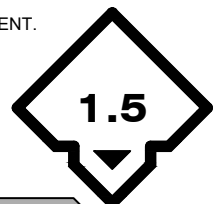
NOTES:

1. THE PROJECT STRUCTURAL ENGINEER IS RESPONSIBLE FOR THE DESIGN OF THE BUILDING STRUCTURE AND LOCAL REINFORCEMENT WHERE REQUIRED, TO WITHSTAND THE APPLIED LOADS OF THE ROOF SAFETY EQUIPMENT SUPPLIED BY ROOFTOP ANCHOR, INC.
2. FALL ARREST SAFETY ANCHORS ARE DESIGNED TO A TYPICAL MAXIMUM FALL ARRESTING FORCE OF 1,800 lbs WHEN WEARING A BODY HARNESS, WITH A FACTOR OF SAFETY OF 2 WITHOUT ANY PERMANENT DEFORMATION; AND TO 5,000 lbs AGAINST FRACTURE OR DETACHMENT.

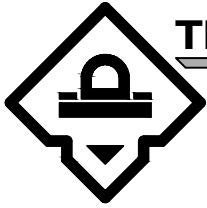
ROOFTOP ANCHOR

PROPRIETARY AND CONFIDENTIAL

The information contained in this drawing is the sole property of Rooftop Anchor, Inc. Any reproduction in part or as a whole without written permission of Rooftop Anchor, Inc. is prohibited.



EFFECTIVE: JANUARY 2017

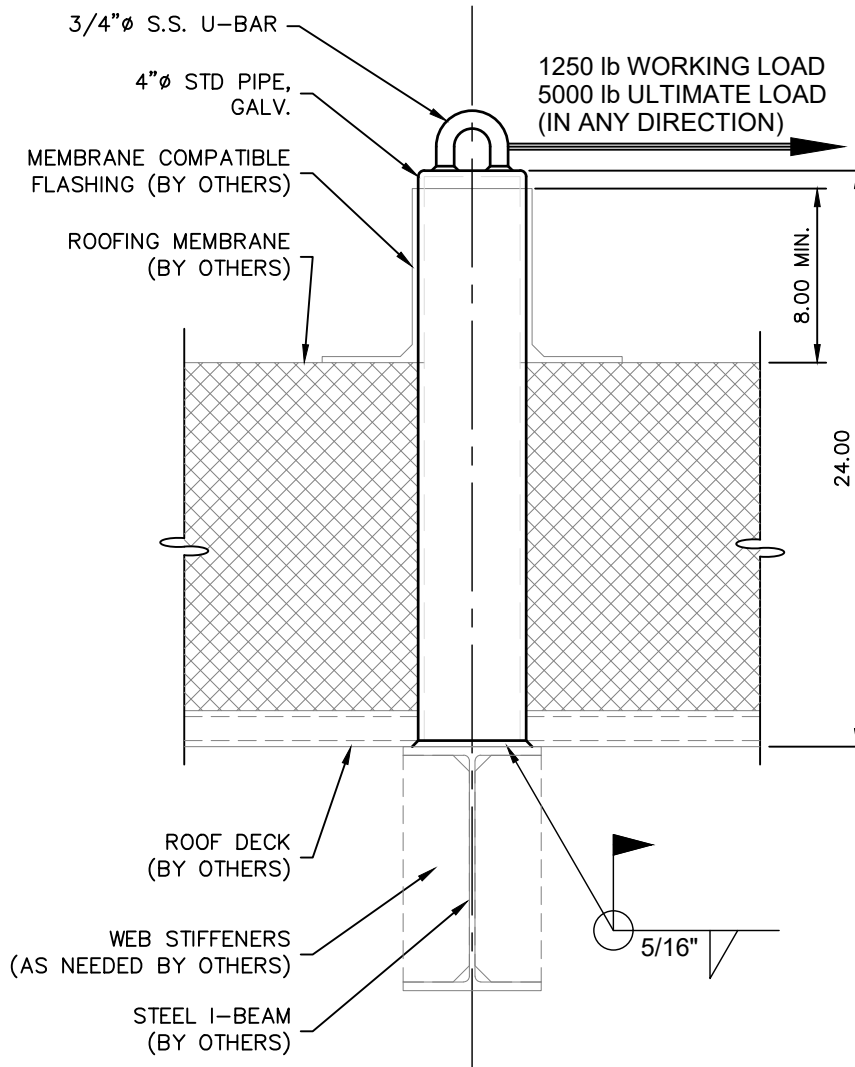


TECHNICAL DATA SHEET

24" WELDABLE ROOFTOP ANCHOR

RW240000

AXIS
ANCHOR PRODUCTS



NOTES:

1. THE PROJECT STRUCTURAL ENGINEER IS RESPONSIBLE FOR THE DESIGN OF THE BUILDING STRUCTURE AND LOCAL REINFORCEMENT WHERE REQUIRED, TO WITHSTAND THE APPLIED LOADS OF THE ROOF SAFETY EQUIPMENT SUPPLIED BY ROOFTOP ANCHOR, INC.
2. FALL ARREST SAFETY ANCHORS ARE DESIGNED TO A TYPICAL MAXIMUM FALL ARRESTING FORCE OF 1,800 lbs WHEN WEARING A BODY HARNESS, WITH A FACTOR OF SAFETY OF 2 WITHOUT ANY PERMANENT DEFORMATION; AND TO 5,000 lbs AGAINST FRACTURE OR DETACHMENT.

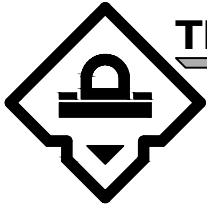
ROOFTOP ANCHOR

PROPRIETARY AND CONFIDENTIAL

The information contained in this drawing is the sole property of Rooftop Anchor, Inc. Any reproduction in part or as a whole without written permission of Rooftop Anchor, Inc. is prohibited.

EFFECTIVE: JANUARY 2017



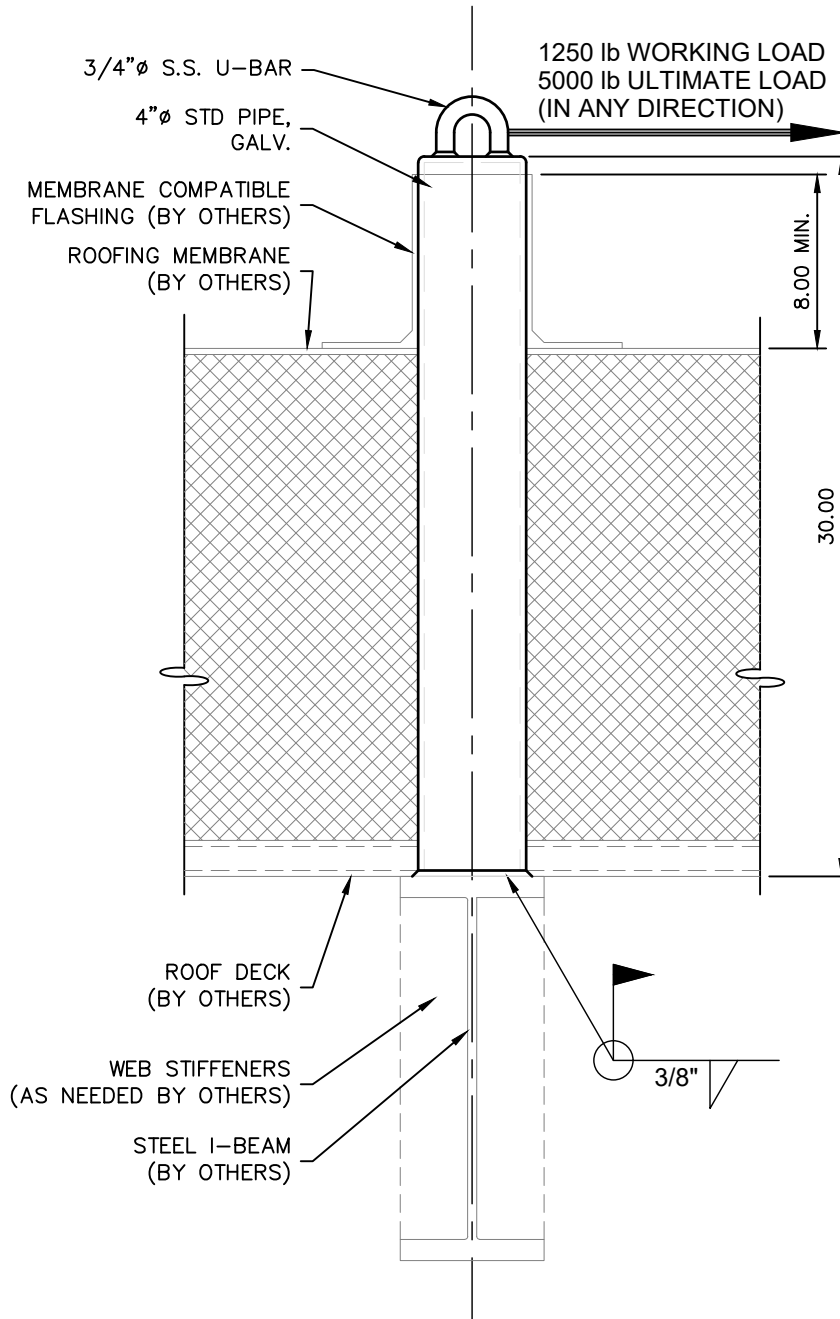


TECHNICAL DATA SHEET

30" WELDABLE ROOFTOP ANCHOR

RW300000

AXIS
ANCHOR PRODUCTS



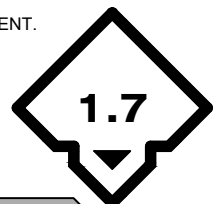
NOTES:

1. THE PROJECT STRUCTURAL ENGINEER IS RESPONSIBLE FOR THE DESIGN OF THE BUILDING STRUCTURE AND LOCAL REINFORCEMENT WHERE REQUIRED, TO WITHSTAND THE APPLIED LOADS OF THE ROOF SAFETY EQUIPMENT SUPPLIED BY ROOFTOP ANCHOR, INC.
2. FALL ARREST SAFETY ANCHORS ARE DESIGNED TO A TYPICAL MAXIMUM FALL ARRESTING FORCE OF 1,800 lbs WHEN WEARING A BODY HARNESS, WITH A FACTOR OF SAFETY OF 2 WITHOUT ANY PERMANENT DEFORMATION; AND TO 5,000 lbs AGAINST FRACTURE OR DETACHMENT.

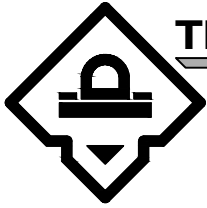
ROOFTOP ANCHOR

PROPRIETARY AND CONFIDENTIAL

The information contained in this drawing is the sole property of Rooftop Anchor, Inc. Any reproduction in part or as a whole without written permission of Rooftop Anchor, Inc. is prohibited.



EFFECTIVE: JANUARY 2017

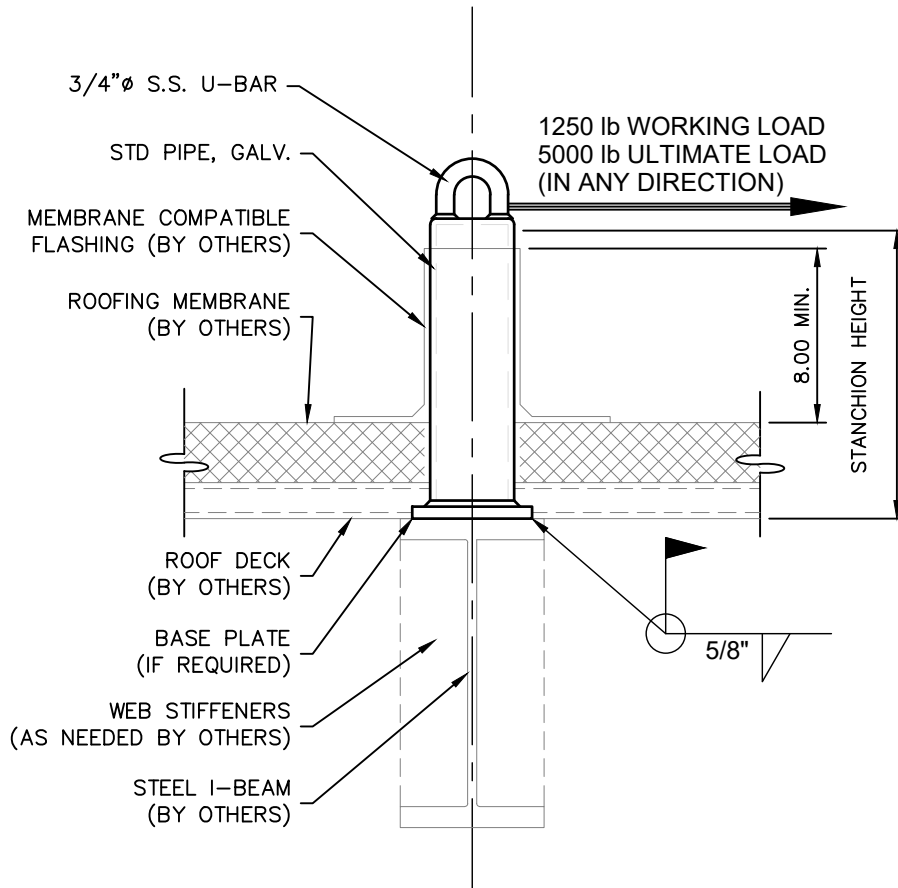


TECHNICAL DATA SHEET

CUSTOM WELDABLE ROOFTOP ANCHOR

RW __ __ 00

AXIS
ANCHOR PRODUCTS



PART # RW __ __ 00

NOTES:

1. THE PROJECT STRUCTURAL ENGINEER IS RESPONSIBLE FOR THE DESIGN OF THE BUILDING STRUCTURE AND LOCAL REINFORCEMENT WHERE REQUIRED, TO WITHSTAND THE APPLIED LOADS OF THE ROOF SAFETY EQUIPMENT SUPPLIED BY ROOFTOP ANCHOR, INC.
2. FALL ARREST SAFETY ANCHORS ARE DESIGNED TO A TYPICAL MAXIMUM FALL ARRESTING FORCE OF 1,800 lbs WHEN WEARING A BODY HARNESS, WITH A FACTOR OF SAFETY OF 2 WITHOUT ANY PERMANENT DEFORMATION; AND TO 5,000 lbs AGAINST FRACTURE OR DETACHMENT.

- R] ANCHOR TYPE (ROOFTOP)
- W] ATTACHMENT METHOD (WELDABLE)
- 1] STANCHION HEIGHT: __ " (12")
- 2]
- 0] BASEPLATE
- 0] (00 - NONE; 01 - REQUIRED)
- 0]
- 0] UNUSED
- 0]



ROOFTOP ANCHOR

PROPRIETARY AND CONFIDENTIAL

The information contained in this drawing is the sole property of Rooftop Anchor, Inc. Any reproduction in part or as a whole without written permission of Rooftop Anchor, Inc. is prohibited.