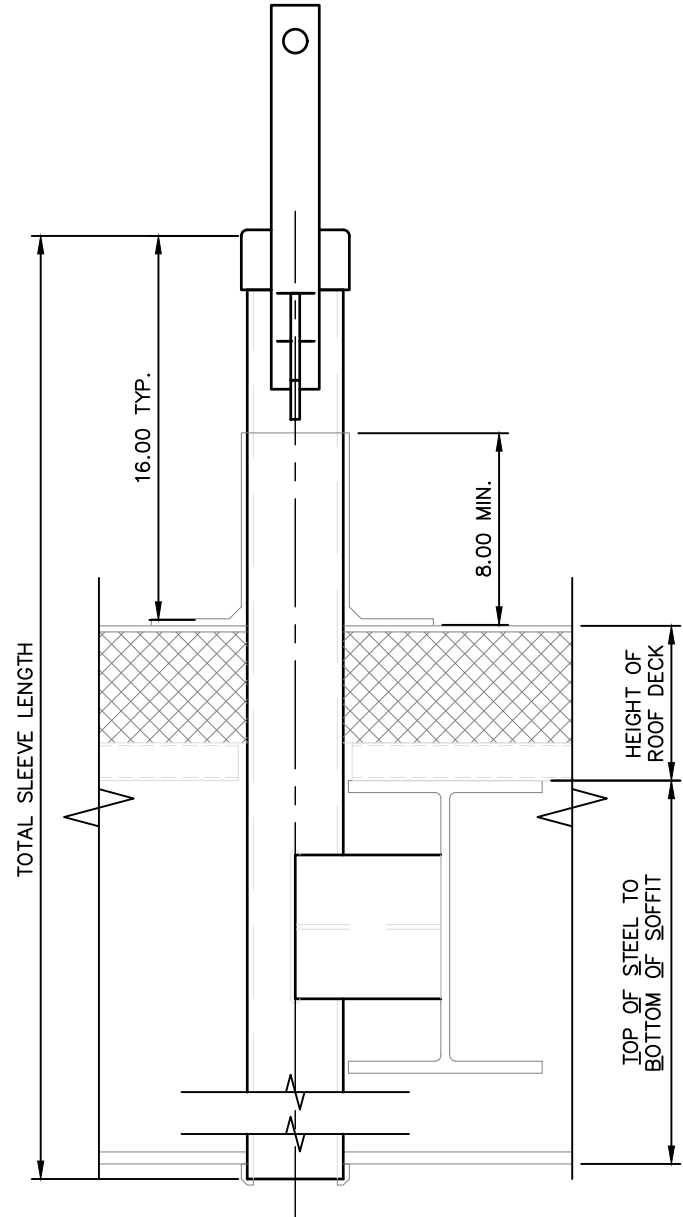
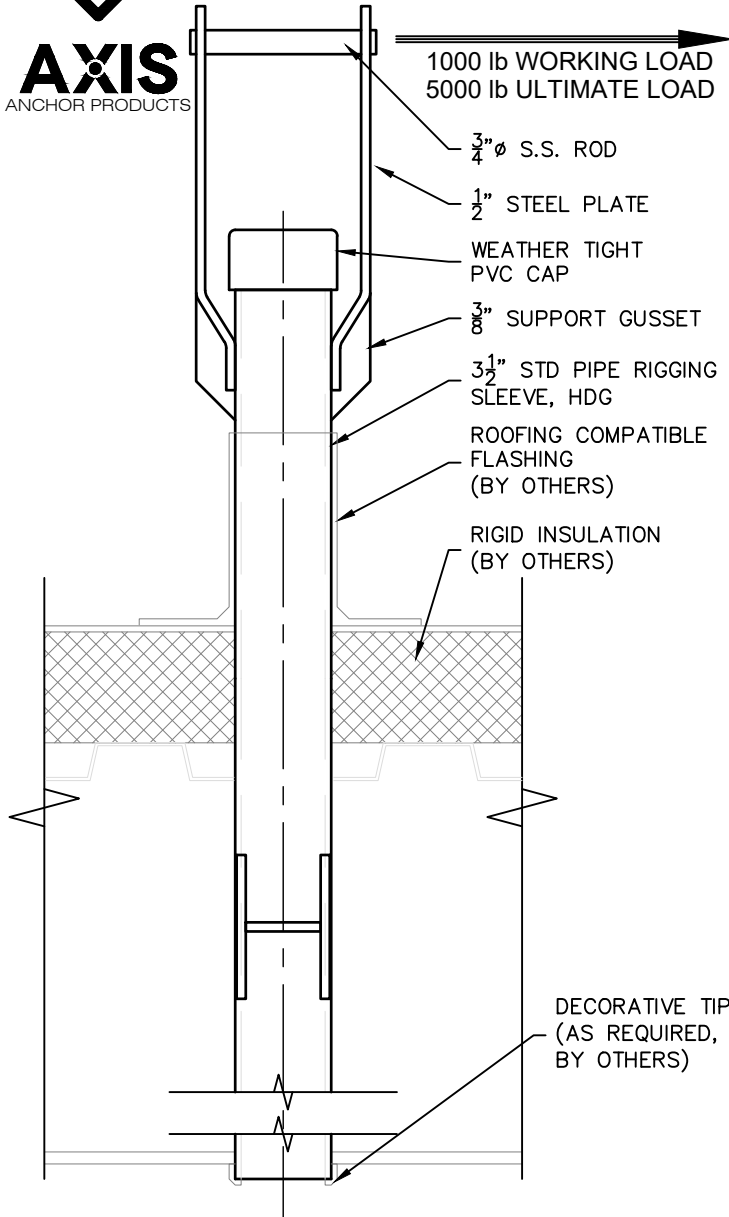


# TECHNICAL DATA SHEET

## WELDABLE RIGGING SLEEVE

VW \_\_\_\_\_

**AXIS**  
ANCHOR PRODUCTS



**PART # VW \_\_\_\_\_**

**NOTES:**

1. THE PROJECT STRUCTURAL ENGINEER IS RESPONSIBLE FOR THE DESIGN OF THE BUILDING STRUCTURE AND LOCAL REINFORCEMENT WHERE REQUIRED, TO WITHSTAND THE APPLIED LOADS OF THE ROOF SAFETY EQUIPMENT SUPPLIED BY ROOFTOP ANCHOR, INC.
2. FALL ARREST SAFETY ANCHORS ARE DESIGNED TO A TYPICAL MAXIMUM FALL ARRESTING FORCE OF 1,800 lbs WHEN WEARING A BODY HARNESS, WITH A FACTOR OF SAFETY OF 2 WITHOUT ANY PERMANENT DEFORMATION; AND TO 5,000 lbs AGAINST FRACTURE OR DETACHMENT.

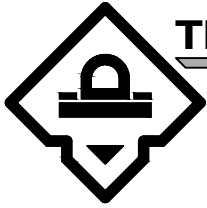
- V ]— SLEEVE ORIENTATION: (V) VERTICAL, (H) HORIZONTAL
- W ]— ATTACHMENT METHOD (WELDABLE)
- 6 ]— TOTAL SLEEVE HEIGHT: \_\_" (60")
- 0 ]—
- 1 ]— HEIGHT OF ROOF DECK: \_\_" (17")
- 7 ]—
- 2 ]— T.O.S. - B.O.S.: \_\_" (25")
- 5 ]—



**PROPRIETARY AND CONFIDENTIAL**

The information contained in this drawing is the sole property of Rooftop Anchor, Inc. Any reproduction in part or as a whole without written permission of Rooftop Anchor, Inc. is prohibited.



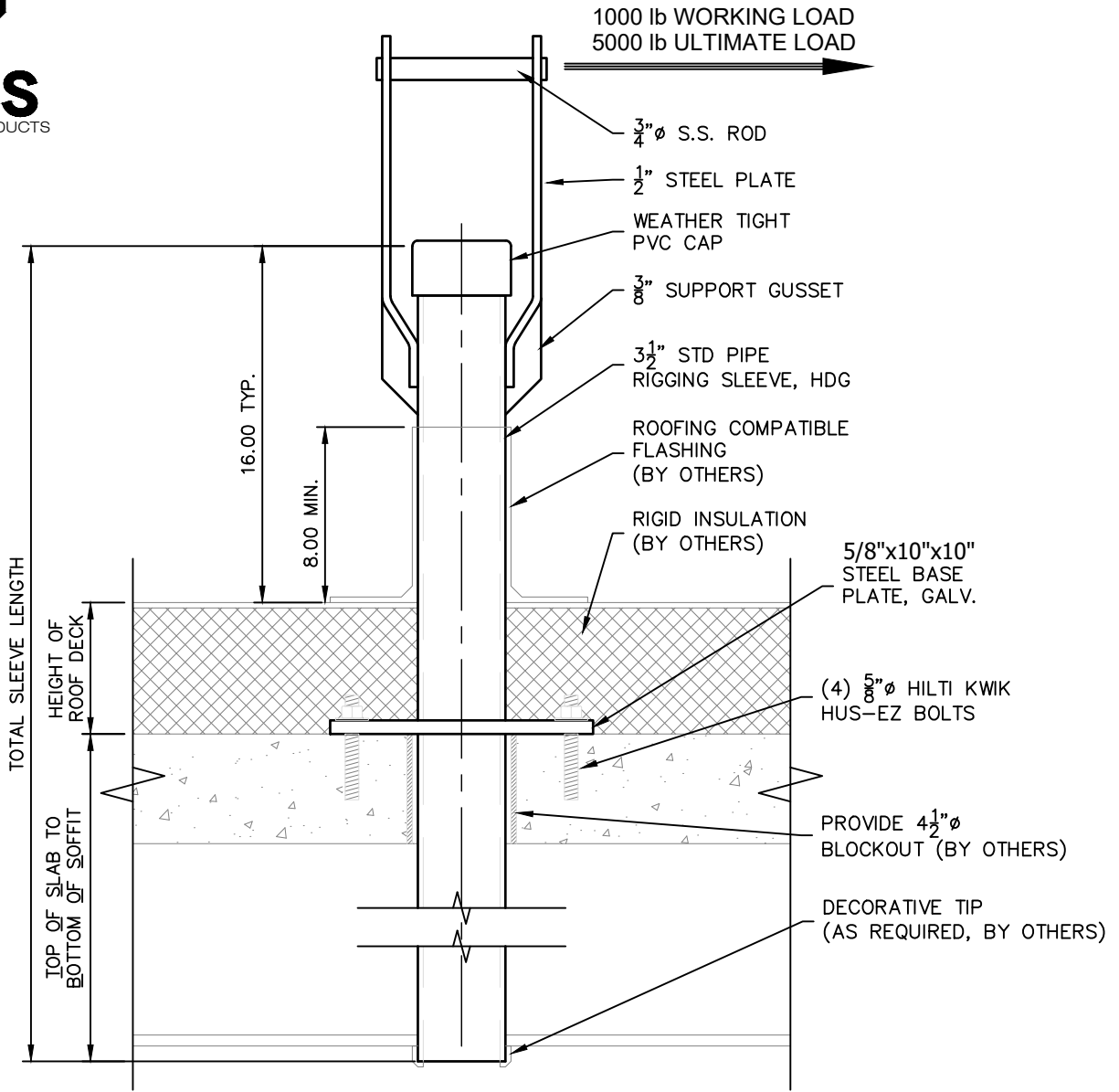


# TECHNICAL DATA SHEET

## RIGGING SLEEVE ON CONCRETE DECK

VC \_ \_ \_

**AXIS**  
ANCHOR PRODUCTS



### PART # VC \_ \_ \_

#### NOTES:

1. THE PROJECT STRUCTURAL ENGINEER IS RESPONSIBLE FOR THE DESIGN OF THE BUILDING STRUCTURE AND LOCAL REINFORCEMENT WHERE REQUIRED, TO WITHSTAND THE APPLIED LOADS OF THE ROOF SAFETY EQUIPMENT SUPPLIED BY ROOFTOP ANCHOR, INC.
2. FALL ARREST SAFETY ANCHORS ARE DESIGNED TO A TYPICAL MAXIMUM FALL ARRESTING FORCE OF 1,800 lbs WHEN WEARING A BODY HARNESS, WITH A FACTOR OF SAFETY OF 2 WITHOUT ANY PERMANENT DEFORMATION; AND TO 5,000 lbs AGAINST FRACTURE OR DETACHMENT.

- V ] — SLEEVE ORIENTATION: (V) VERTICAL, (H) HORIZONTAL
- C ] — ATTACHMENT METHOD (CONCRETE)
- 6 ] — TOTAL SLEEVE HEIGHT: \_ \_" (60")
- 0 ] —
- 1 ] — HEIGHT OF ROOF DECK: \_ \_" (17")
- 7 ] —
- 2 ] — T.O.S. - B.O.S.: \_ \_" (25")
- 5 ] —

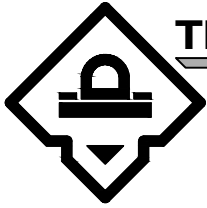
ROOFTOP ANCHOR

#### PROPRIETARY AND CONFIDENTIAL

The information contained in this drawing is the sole property of Rooftop Anchor, Inc. Any reproduction in part or as a whole without written permission of Rooftop Anchor, Inc. is prohibited.

EFFECTIVE: JANUARY 2016





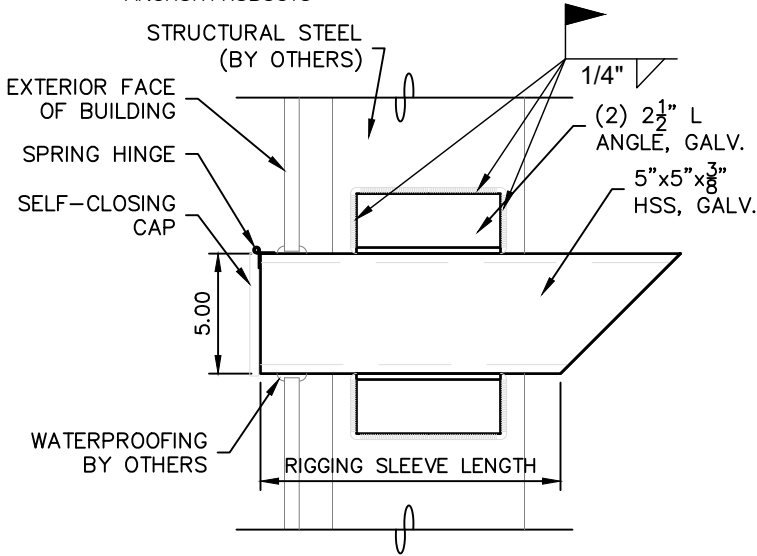
# TECHNICAL DATA SHEET

## HORIZONTAL RIGGING SLEEVE - WELDABLE

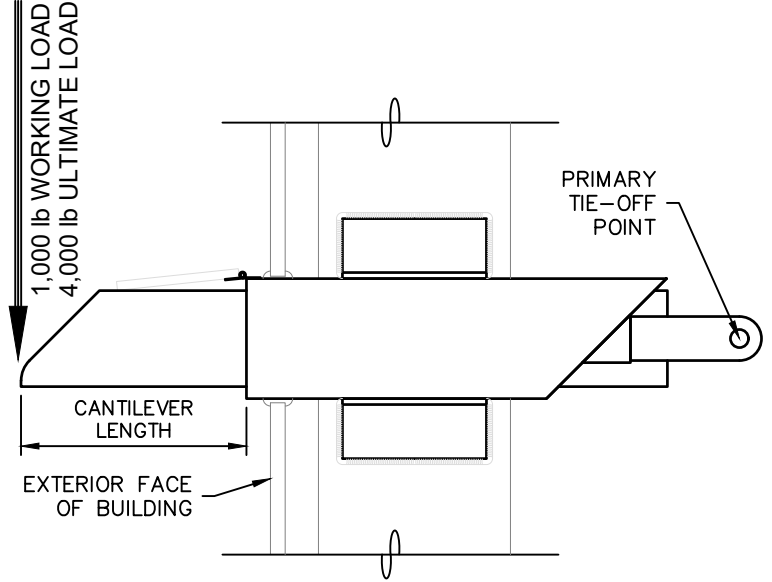
8.3

### AXIS

ANCHOR PRODUCTS

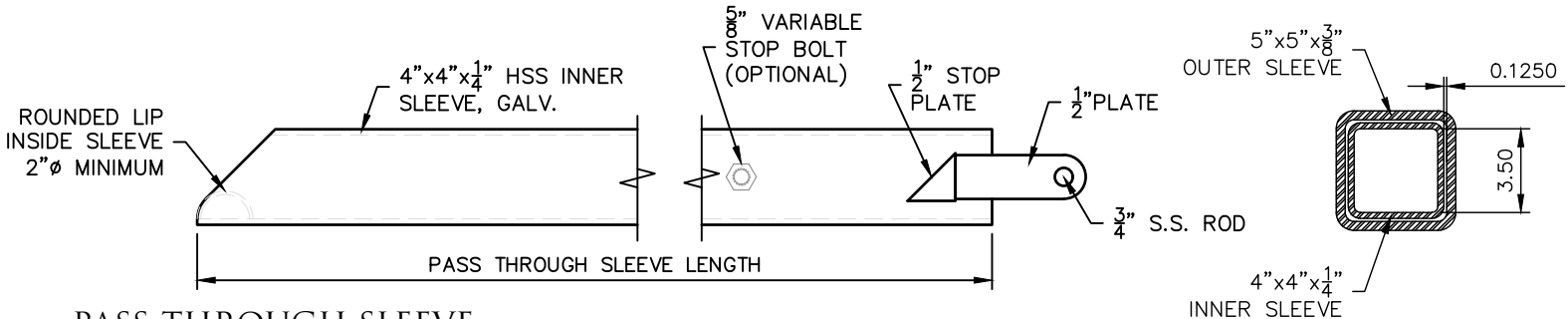


SIDE VIEW



SIDE VIEW - W/ PASS THROUGH SLEEVE

## HORIZONTAL RIGGING SLEEVE



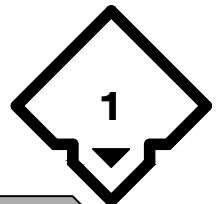
PASS-THROUGH SLEEVE

### PART # HW \_\_\_\_\_

#### NOTES:

1. THE PROJECT STRUCTURAL ENGINEER IS RESPONSIBLE FOR THE DESIGN OF THE BUILDING STRUCTURE AND LOCAL REINFORCEMENT WHERE REQUIRED, TO WITHSTAND THE APPLIED LOADS OF THE ROOF SAFETY EQUIPMENT SUPPLIED BY ROOFTOP ANCHOR, INC.
2. FALL ARREST SAFETY ANCHORS ARE DESIGNED TO A TYPICAL MAXIMUM FALL ARRESTING FORCE OF 1,800 lbs WHEN WEARING A BODY HARNESS, WITH A FACTOR OF SAFETY OF 2 WITHOUT ANY PERMANENT DEFORMATION; AND TO 5,000 lbs AGAINST FRACTURE OR DETACHMENT.

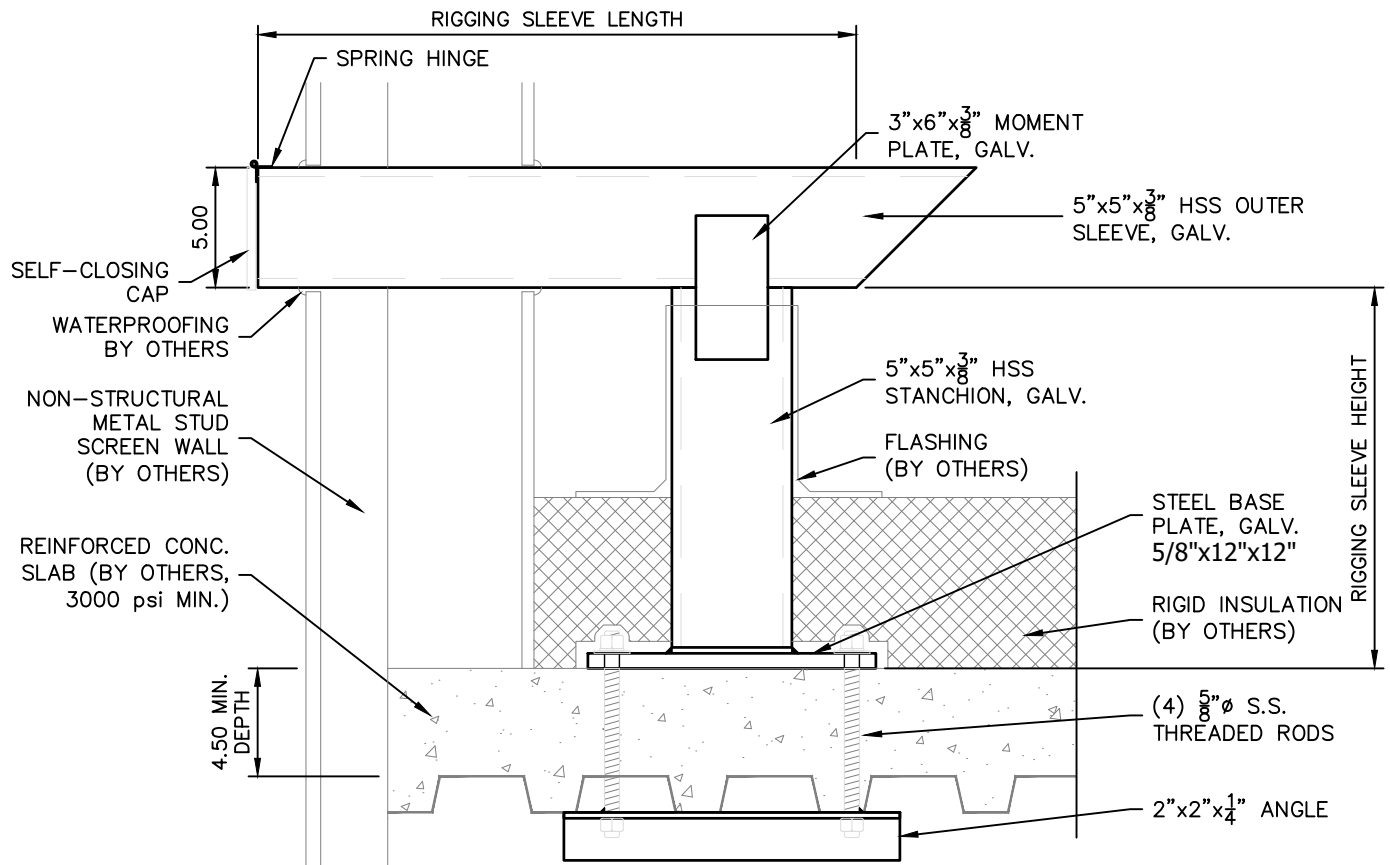
- H ] SLEEVE ORIENTATION: (V) VERTICAL, (H) HORIZONTAL
- W ] ATTACHMENT METHOD (WELDABLE)
- 3 ] PASS THROUGH SLEEVE LENGTH: \_\_" (36")
- 6 ]
- 1 ] RIGGING SLEEVE LENGTH: \_\_" (17")
- 7 ]
- 0 ] CANTILEVER LENGTH: \_\_" (06")
- 6 ]



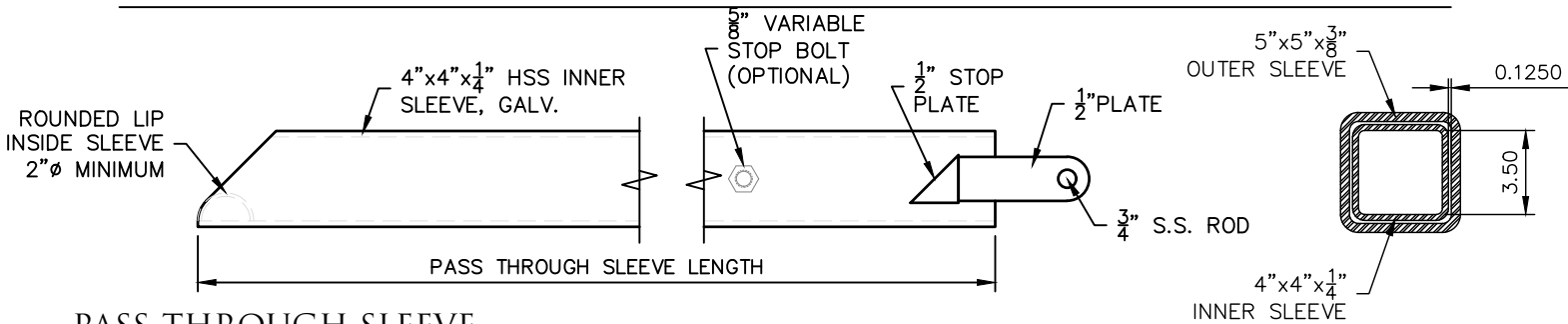
ROOFTOP ANCHOR

PROPRIETARY AND CONFIDENTIAL

The information contained in this drawing is the sole property of Rooftop Anchor, Inc. Any reproduction in part or as a whole without written permission of Rooftop Anchor, Inc. is prohibited.



**HORIZONTAL RIGGING SLEEVE**



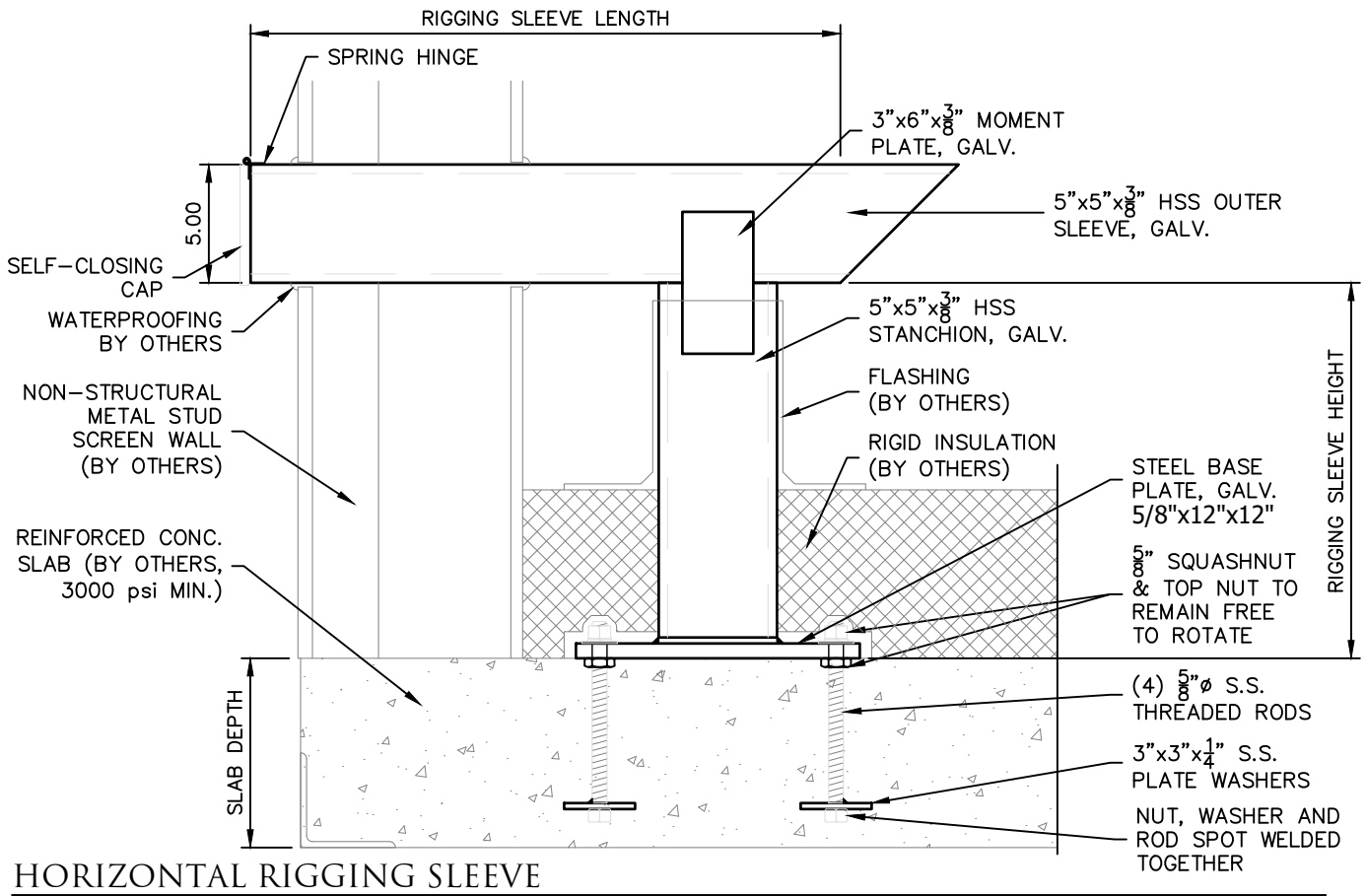
**PASS-THROUGH SLEEVE**

**PART # HB \_\_\_\_\_**

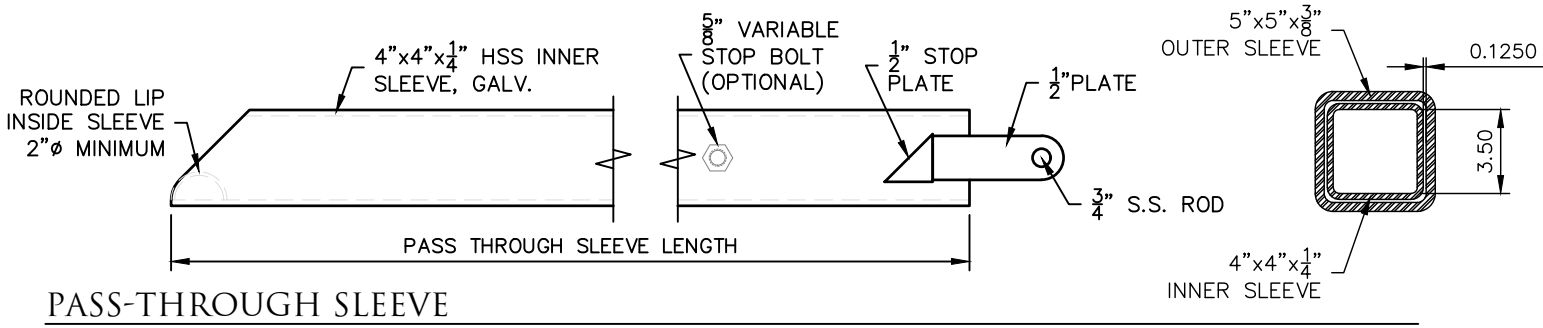
**NOTES:**

1. THE PROJECT STRUCTURAL ENGINEER IS RESPONSIBLE FOR THE DESIGN OF THE BUILDING STRUCTURE AND LOCAL REINFORCEMENT WHERE REQUIRED, TO WITHSTAND THE APPLIED LOADS OF THE ROOF SAFETY EQUIPMENT SUPPLIED BY ROOFTOP ANCHOR, INC.
2. FALL ARREST SAFETY ANCHORS ARE DESIGNED TO A TYPICAL MAXIMUM FALL ARRESTING FORCE OF 1,800 lbs WHEN WEARING A BODY HARNESS, WITH A FACTOR OF SAFETY OF 2 WITHOUT ANY PERMANENT DEFORMATION; AND TO 5,000 lbs AGAINST FRACTURE OR DETACHMENT.

- H ] — SLEEVE ORIENTATION: (V) VERTICAL, (H) HORIZONTAL
- B ] — ATTACHMENT METHOD (BOLT THROUGH)
- 3 ] — PASS THROUGH SLEEVE LENGTH: \_\_" (36")
- 6 ] —
- 1 ] — RIGGING SLEEVE LENGTH: \_\_" (17")
- 7 ] —
- 2 ] — RIGGING SLEEVE HEIGHT: \_\_" (24")
- 4 ] —



**HORIZONTAL RIGGING SLEEVE**



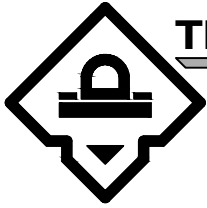
**PASS-THROUGH SLEEVE**

**PART # HC \_\_\_\_\_**

**NOTES:**

1. THE PROJECT STRUCTURAL ENGINEER IS RESPONSIBLE FOR THE DESIGN OF THE BUILDING STRUCTURE AND LOCAL REINFORCEMENT WHERE REQUIRED, TO WITHSTAND THE APPLIED LOADS OF THE ROOF SAFETY EQUIPMENT SUPPLIED BY ROOFTOP ANCHOR, INC.
2. FALL ARREST SAFETY ANCHORS ARE DESIGNED TO A TYPICAL MAXIMUM FALL ARRESTING FORCE OF 1,800 lbs WHEN WEARING A BODY HARNESS, WITH A FACTOR OF SAFETY OF 2 WITHOUT ANY PERMANENT DEFORMATION; AND TO 5,000 lbs AGAINST FRACTURE OR DETACHMENT.

- H ] — SLEEVE ORIENTATION: (V) VERTICAL, (H) HORIZONTAL
- C ] — ATTACHMENT METHOD (CAST-IN-PLACE)
- 3 ] — PASS THROUGH SLEEVE LENGTH: \_\_" (36")
- 6 ] —
- 1 ] — RIGGING SLEEVE LENGTH: \_\_" (17")
- 7 ] —
- 2 ] — RIGGING SLEEVE HEIGHT: \_\_" (24")
- 4 ] —

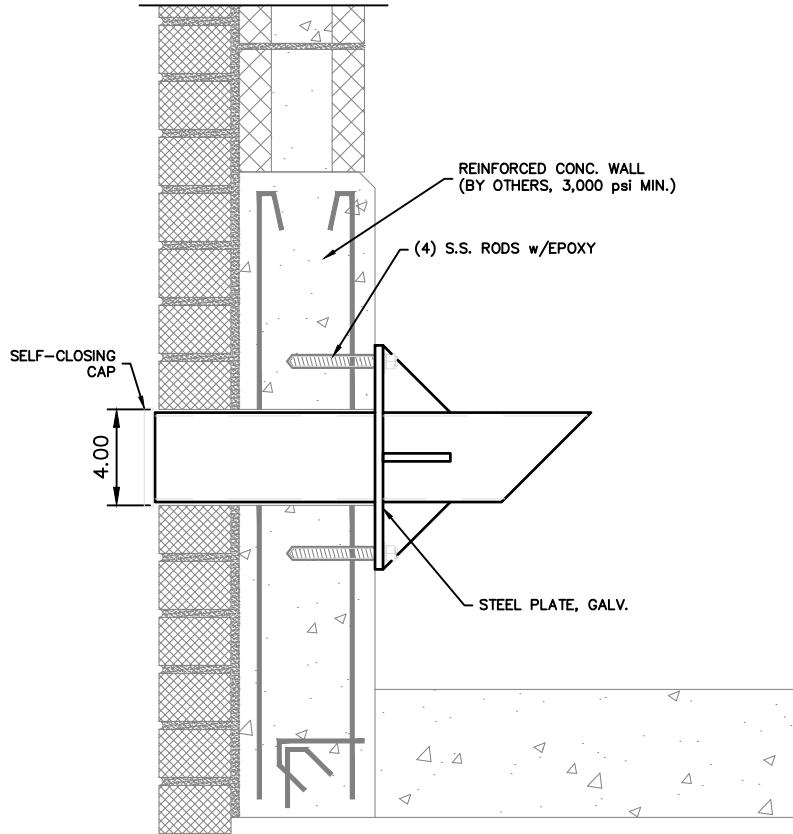


# TECHNICAL DATA SHEET

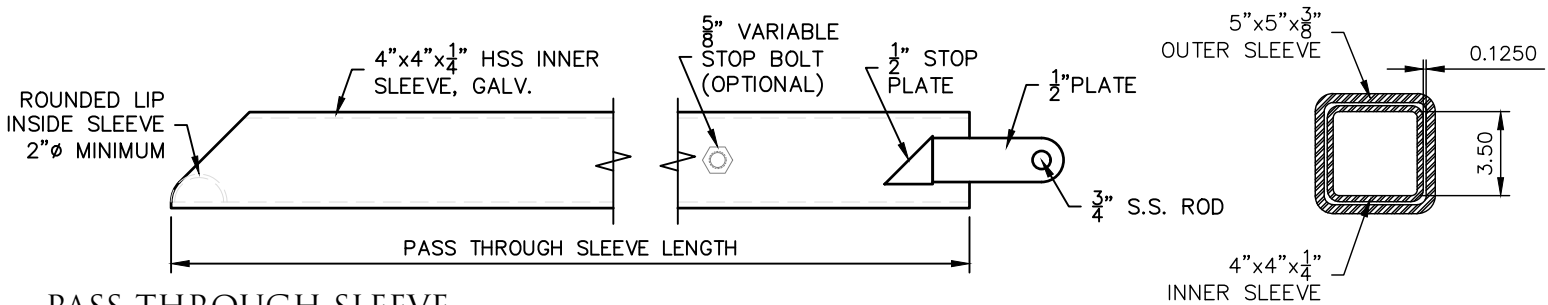
## HORIZONTAL RIGGING SLEEVE - WALL MOUNTED

CUSTOM

**AXIS**  
ANCHOR PRODUCTS



### HORIZONTAL RIGGING SLEEVE



### PASS-THROUGH SLEEVE

#### NOTES:

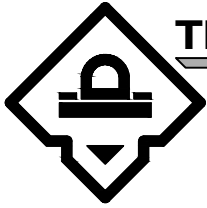
1. THE PROJECT STRUCTURAL ENGINEER IS RESPONSIBLE FOR THE DESIGN OF THE BUILDING STRUCTURE AND LOCAL REINFORCEMENT WHERE REQUIRED, TO WITHSTAND THE APPLIED LOADS OF THE ROOF SAFETY EQUIPMENT SUPPLIED BY ROOFTOP ANCHOR, INC.
2. FALL ARREST SAFETY ANCHORS ARE DESIGNED TO A TYPICAL MAXIMUM FALL ARRESTING FORCE OF 1,800 lbs WHEN WEARING A BODY HARNESS, WITH A FACTOR OF SAFETY OF 2 WITHOUT ANY PERMANENT DEFORMATION; AND TO 5,000 lbs AGAINST FRACTURE OR DETACHMENT.

ROOFTOP ANCHOR

PROPRIETARY AND CONFIDENTIAL

The information contained in this drawing is the sole property of Rooftop Anchor, Inc. Any reproduction in part or as a whole without written permission of Rooftop Anchor, Inc. is prohibited.

8.6

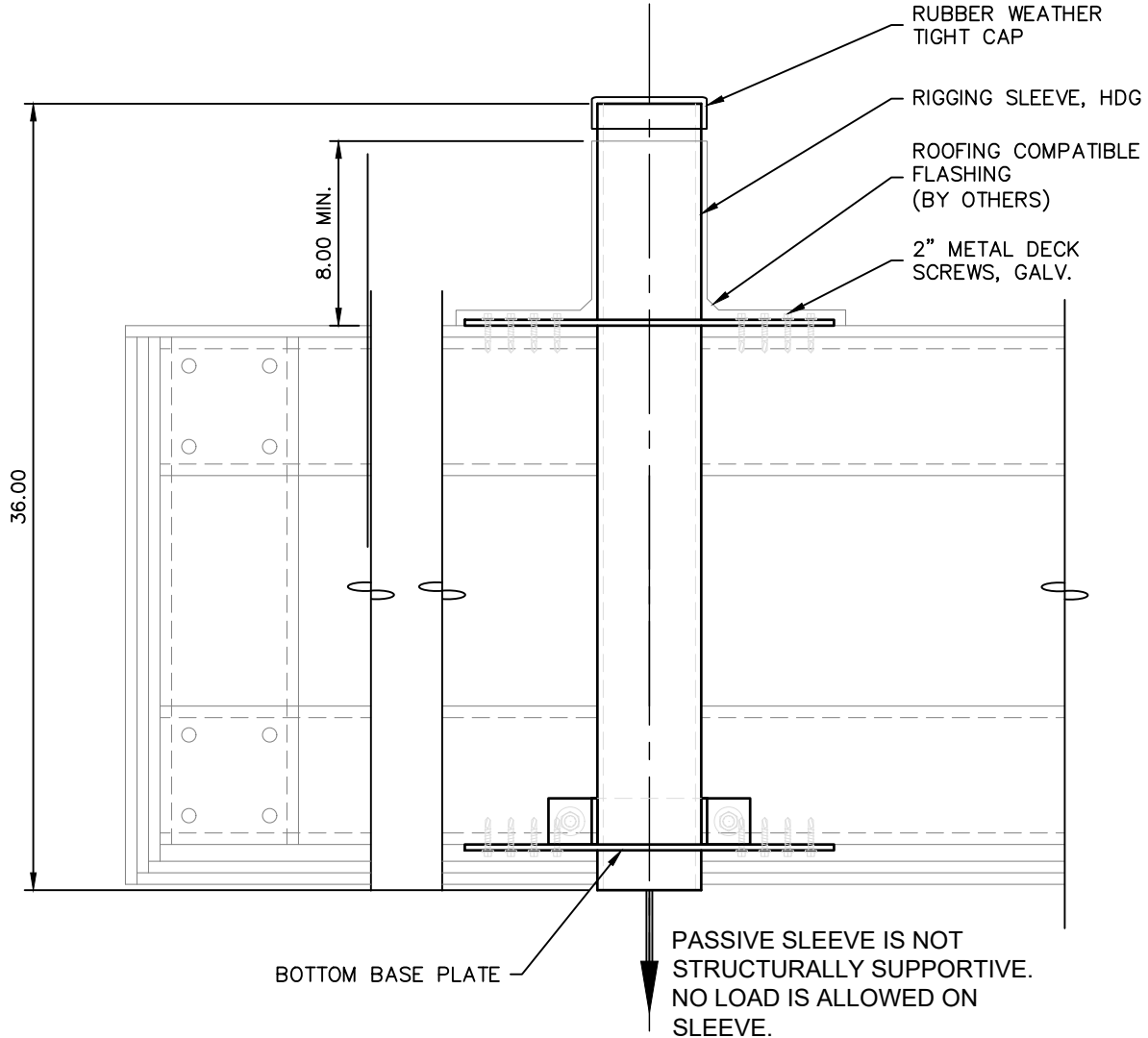


# TECHNICAL DATA SHEET

## NON-STRUCTURAL RIGGING SLEEVE

CUSTOM

**AXIS**  
ANCHOR PRODUCTS



### NOTES:

1. THE PROJECT STRUCTURAL ENGINEER IS RESPONSIBLE FOR THE DESIGN OF THE BUILDING STRUCTURE AND LOCAL REINFORCEMENT WHERE REQUIRED, TO WITHSTAND THE APPLIED LOADS OF THE ROOF SAFETY EQUIPMENT SUPPLIED BY ROOFTOP ANCHOR, INC.
2. FALL ARREST SAFETY ANCHORS ARE DESIGNED TO A TYPICAL MAXIMUM FALL ARRESTING FORCE OF 1,800 lbs WHEN WEARING A BODY HARNESS, WITH A FACTOR OF SAFETY OF 2 WITHOUT ANY PERMANENT DEFORMATION; AND TO 5,000 lbs AGAINST FRACTURE OR DETACHMENT.

ROOFTOP ANCHOR

**PROPRIETARY AND CONFIDENTIAL**

The information contained in this drawing is the sole property of Rooftop Anchor, Inc. Any reproduction in part or as a whole without written permission of Rooftop Anchor, Inc. is prohibited.

8.7