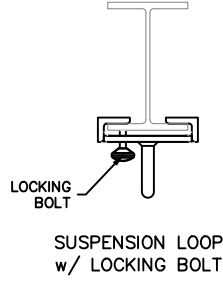
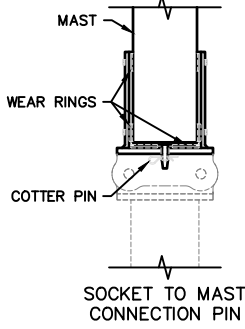
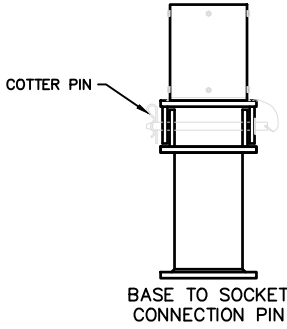
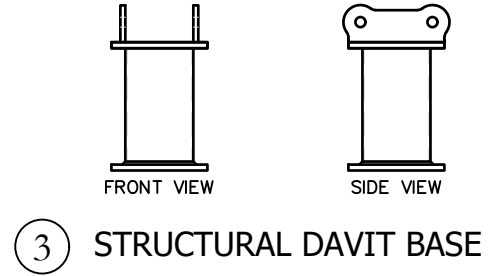
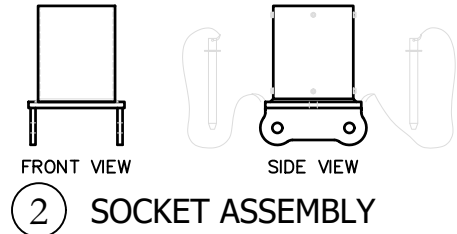
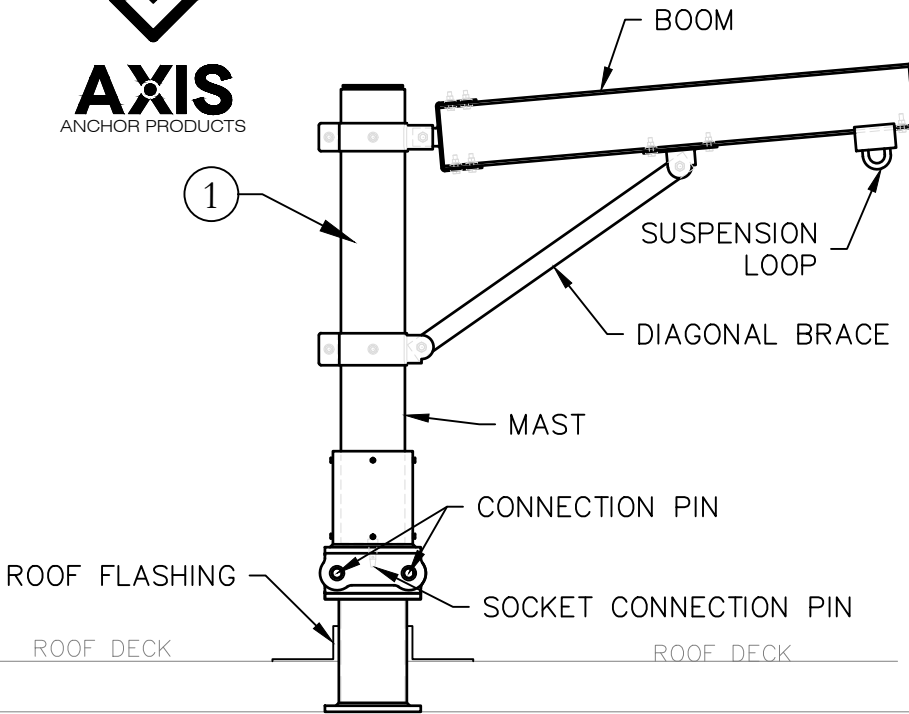


TECHNICAL DATA SHEET

DAVIT PRE-USE INSPECTION PROCEDURE



AXIS
ANCHOR PRODUCTS



DAVIT SYSTEM PRE-USE INSPECTION NOTES

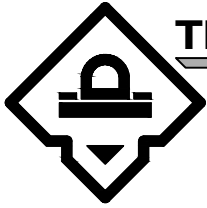
1. THE OPERATOR OF THIS EQUIPMENT IS RESPONSIBLE TO BE TRAINED IN THE CORRECT USAGE AND MAINTENANCE OF THIS EQUIPMENT. DAVIT SYSTEM USAGE NOTES SHOULD BE READ AND UNDERSTOOD BEFORE THE DAVIT SYSTEM IS PUT IN USE.
2. INSPECT ALL BOLTS AND NUTS TO ENSURE THAT THEY HAVE NOT LOOSENED OR BEEN REMOVED. ANY DAMAGED BOLTS, PINS, OR OPEN BOLT HOLES SHOULD BE REPORTED TO ROOFTOP ANCHOR FOR REPLACEMENT.
3. CONNECTING BOLTS, PINS, DIAGONAL BRACE, BOOM, AND MAST SHOULD BE STRAIGHT AND FREE FROM DENTS, CRACKS, EXCESSIVE CORROSION, AND ANY MISALIGNMENT. SOCKET WEAR RINGS SHOULD NOT BE EXCESSIVELY WORN OR CRACKED.
4. ALL CONNECTION PINS SHOULD BE COMPLETELY INSERTED IN THE PROPER LOCATION WITH THEIR COTTER PINS CONNECTED.
5. THE LOCKING BOLT ON THE SUSPENSION LOOP SHOULD BE ENGAGED BEFORE ANY RIGGING IS ATTACHED TO IT.
6. THE ROOF FLASHING MUST BE FREE OF CRACKS, TEARS, OR OTHER ISSUES WHICH MAY INDICATE WATER LEAKAGE ONTO THE DAVIT BASE AND STRUCTURE.
6. DO NOT EXCEED THE LOADING REQUIREMENT SPECIFIED ON THE WARNING PLATE ATTACHED TO THE OUTRIGGER BEAM.
7. RESULTS OF THE MOST RECENT INSPECTION SHOULD BE REVIEWED PRIOR TO USE. THESE RESULTS ARE KEPT IN THE INSPECTION AND MAINTENANCE LOG PROVIDED WITH THE EQUIPMENT.

ROOFTOP ANCHOR

PROPRIETARY AND CONFIDENTIAL

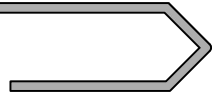
The information contained in this drawing is the sole property of Rooftop Anchor, Inc. Any reproduction in part or as a whole without written permission of Rooftop Anchor, Inc. is prohibited.



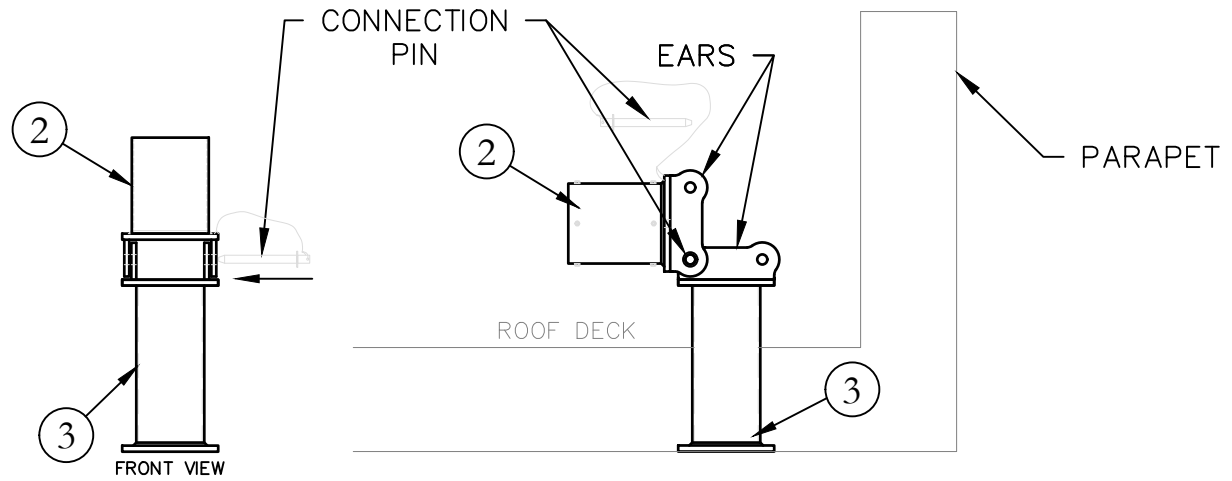
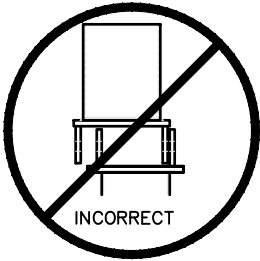


TECHNICAL DATA SHEET

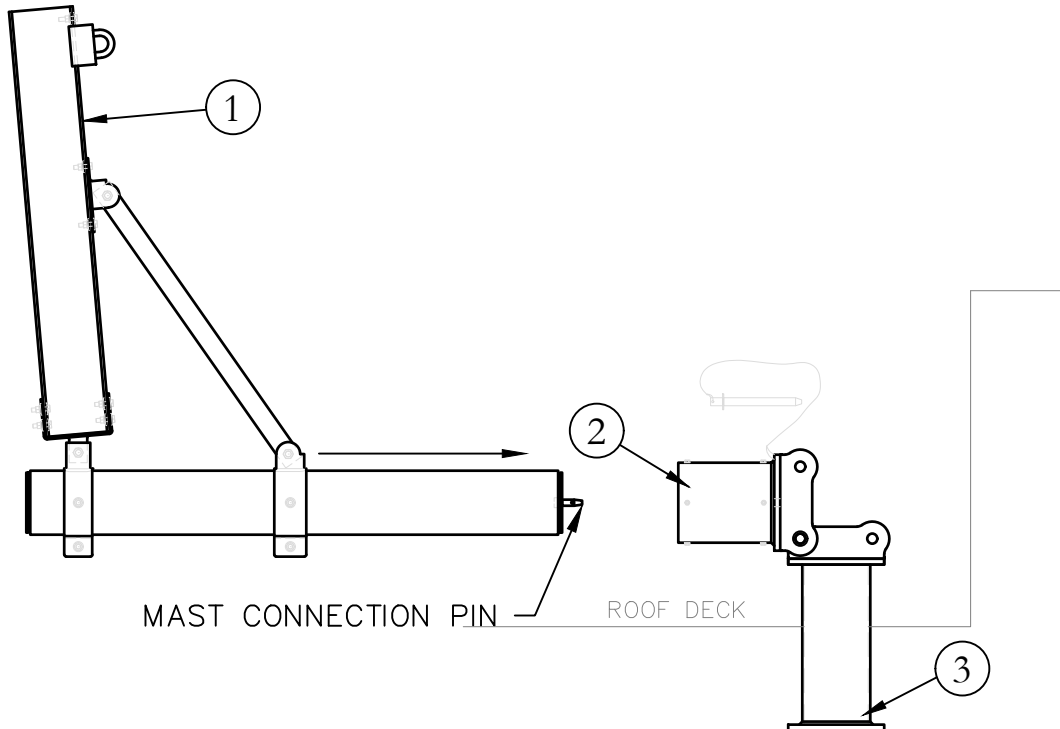
DAVIT ASSEMBLY PROCEDURE



AXIS
ANCHOR PRODUCTS



1. MOVE THE SOCKET ASSEMBLY (#2) INTO THE DAVIT BASE (#3) AS SHOWN. ALIGN THE HOLES OF THE SOCKET ASSEMBLY (#2) WITH THE HOLES OF THE DAVIT BASE (#3) AND INSTALL THE 1"Ø CONNECTION PIN SO THAT THE SOCKET ASSEMBLY (#2) CAN BE TIPPED AWAY FROM THE ROOF EDGE. EARS SHOULD SEAT COMPLETELY WITHIN THE OTHER SET OF EARS AS SHOWN IN THE FRONT VIEW. MAKE SURE THE CONNECTION PIN SAFETY CLIP IS INSTALLED AND IS FULLY ENGAGED.

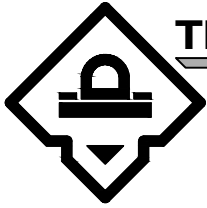


2. MOVE DAVIT ARM ASSEMBLY (#1) INTO THE SOCKET ASSEMBLY (#2) AS SHOWN. ONCE DAVIT ARM ASSEMBLY (#1) IS INSERTED INTO THE SOCKET ASSEMBLY (#3), INSTALL MAST CONNECTION PIN. MAKE SURE THE MAST CONNECTION PIN SAFETY CLIP IS INSTALLED AND IS FULLY ENGAGED.

ROOFTOP ANCHOR

PROPRIETARY AND CONFIDENTIAL
The information contained in this drawing is the sole property of Rooftop Anchor, Inc. Any reproduction in part or as a whole without written permission of Rooftop Anchor, Inc. is prohibited.

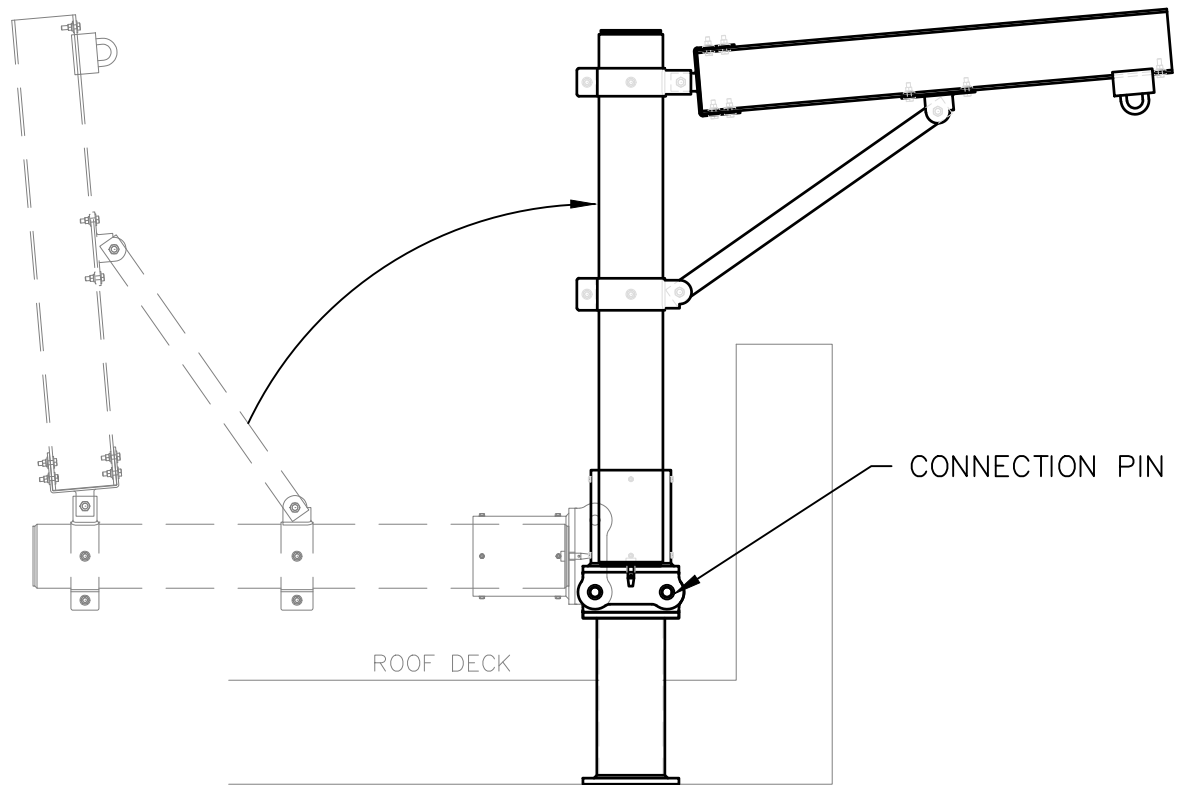
81.2



TECHNICAL DATA SHEET

DAVIT ASSEMBLY PROCEDURE

AXIS
ANCHOR PRODUCTS



3. RAISE THE DAVIT ASSEMBLY TO ITS FULL UPRIGHT POSITION, BEING CAREFUL NOT TO LET THE ASSEMBLY CRASH FORWARD. AFTER ASSEMBLY HAS BEEN RAISED, INSERT THE FRONT DAVIT SOCKET CONNECTION PIN INTO DAVIT SOCKET/BASE HOLE. MAKE SURE THE CONNECTION PIN SAFETY CLIP IS INSTALLED AND IS FULLY ENGAGED.

DAVIT SYSTEM USAGE NOTES

1. ALL WORKERS MUST BE TRAINED BY A COMPETENT INDIVIDUAL PRIOR TO USING THIS EQUIPMENT.
2. INSPECT ALL FASTENERS AND LOCKING PINS BEFORE EACH USE. ENSURE THEY ARE IN PLACE, IN GOOD WORKING ORDER AND PROPERLY ENGAGED.
3. DO NOT EXCEED THE MAXIMUM ALLOWABLE WORKING LOAD OF THIS EQUIPMENT (SEE LOAD CAPACITY PLATE). TO CALCULATE THE MAXIMUM LOAD CAPACITY, COMBINE THE TOTAL WEIGHT OF OPERATING PERSONNEL, MATERIALS, AND ALL SUSPENDED/SUPPORTED EQUIPMENT.
4. THE RATED CAPACITY OF THE HOIST MUST NOT EXCEED THE MAXIMUM ALLOWABLE LOAD OF 1,000 LBS.
5. EACH WORKER'S SAFETY LIFELINE MUST BE ATTACHED TO A CERTIFIED ANCHORAGE, INDEPENDENT OF THIS ENTIRE ASSEMBLY.
6. DO NOT REPAIR OR MODIFY THIS EQUIPMENT. ALL REPAIRS MUST BE PERFORMED BY AN AUTHORIZED ROOFTOP ANCHOR, INC. REPRESENTATIVE.
7. TO ENSURE THAT ALL PARTS OF THE EQUIPMENT ARE IN SAFE OPERATING CONDITION, ALL STRUCTURAL, ELECTRICAL AND MECHANICAL EQUIPMENT SHALL UNDERGO INSPECTION, TESTING AND SERVICING PRIOR TO USE IN ACCORDANCE WITH THE MANUFACTURER'S RECOMMENDATIONS AND OSHA 1910.66, ASME A-120.1-2001, ANSI I-14.1.
8. IF PARAPET OR GUARDRAIL IS LESS THAN 42" HIGH, WORKERS MUST UTILIZE PROPER FALL PROTECTION MEANS WHILE TRANSPORTING AND ERECTING DAVIT ASSEMBLY.
9. USER SHOULD ATTACH THEIR SUPPORT LINE TO THE DAVIT SUSPENSION LOOP ONLY WHILE THE BOOM IS ROTATED INBOARD AND PRIOR TO ROTATING DAVIT BOOM OUTBOARD.
10. DAVITS MUST NEVER BE ROTATED UNDER LOAD NOR SHALL THE USER ATTEMPT TO SLIDE SUSPENSION LOOP WHILE UNDER LOAD.

ROOFTOP ANCHOR

PROPRIETARY AND CONFIDENTIAL

The information contained in this drawing is the sole property of Rooftop Anchor, Inc. Any reproduction in part or as a whole without written permission of Rooftop Anchor, Inc. is prohibited.

81.3