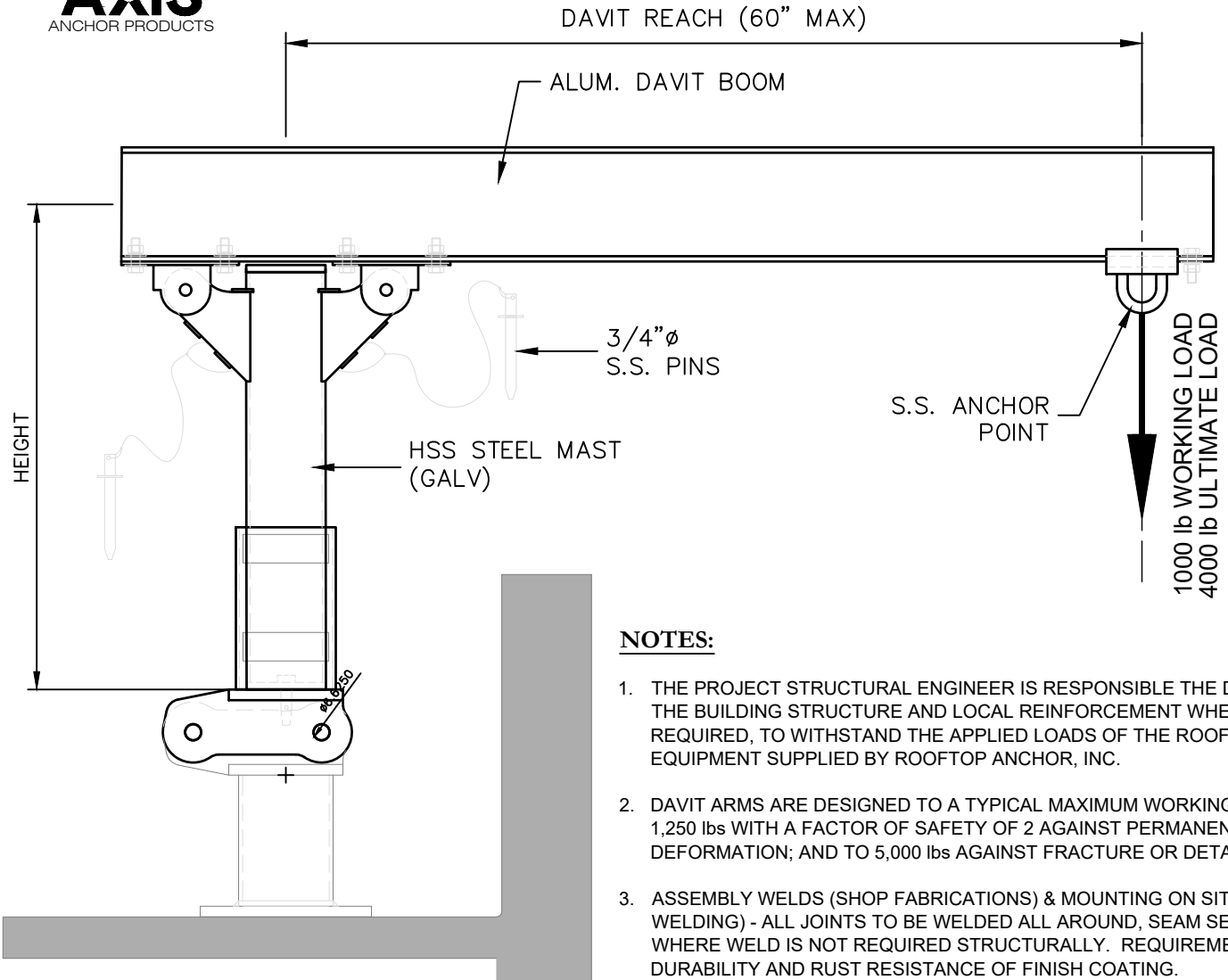


TECHNICAL DATA SHEET

MINI GROUND RIGGED DAVIT ARM

M _ _ _ _ D

AXIS
ANCHOR PRODUCTS



NOTES:

1. THE PROJECT STRUCTURAL ENGINEER IS RESPONSIBLE THE DESIGN OF THE BUILDING STRUCTURE AND LOCAL REINFORCEMENT WHERE REQUIRED, TO WITHSTAND THE APPLIED LOADS OF THE ROOF SAFETY EQUIPMENT SUPPLIED BY ROOFTOP ANCHOR, INC.
2. DAVIT ARMS ARE DESIGNED TO A TYPICAL MAXIMUM WORKING LOAD OF 1,250 lbs WITH A FACTOR OF SAFETY OF 2 AGAINST PERMANENT DEFORMATION; AND TO 5,000 lbs AGAINST FRACTURE OR DETACHMENT.
3. ASSEMBLY WELDS (SHOP FABRICATIONS) & MOUNTING ON SITE (FIELD WELDING) - ALL JOINTS TO BE WELDED ALL AROUND, SEAM SEAL WELD WHERE WELD IS NOT REQUIRED STRUCTURALLY. REQUIREMENT IS FOR DURABILITY AND RUST RESISTANCE OF FINISH COATING.

PART # M _ _ _ _ D

- | | | |
|-----|--------------------------------|--|
| M] | ANCHOR TYPE (MINI DAVITS) | [OPTIONS:
(A) BEAM WRAP
(B) BOLT THROUGH
(C) CAST-IN-PLACE
(W) WELDABLE |
| W] | ATTACHMENT METHOD (WELDABLE) | |
| 3] | MAST HEIGHT: _ _ " (36") | |
| 6] | BOOM LENGTH: _ _ " (48") | |
| 4] | DAVIT BASE HEIGHT: _ _ " (20") | [OPTIONS:
(B) BASE
(S) SOCKET
(D) DAVIT |
| 8] | COMPONENT | |
| 2] | | |
| 0] | | |
| B] | | |



ROOFTOP ANCHOR

PROPRIETARY AND CONFIDENTIAL

The information contained in this drawing is the sole property of Rooftop Anchor, Inc. Any reproduction in part or as a whole without written permission of Rooftop Anchor, Inc. is prohibited.