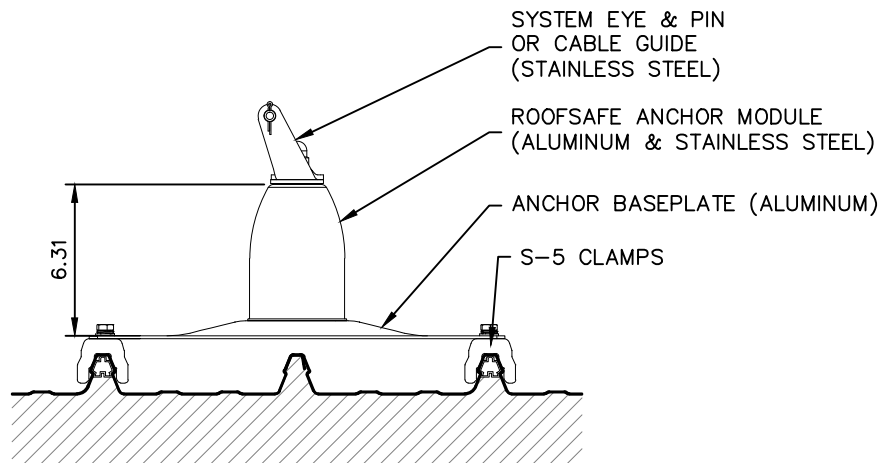
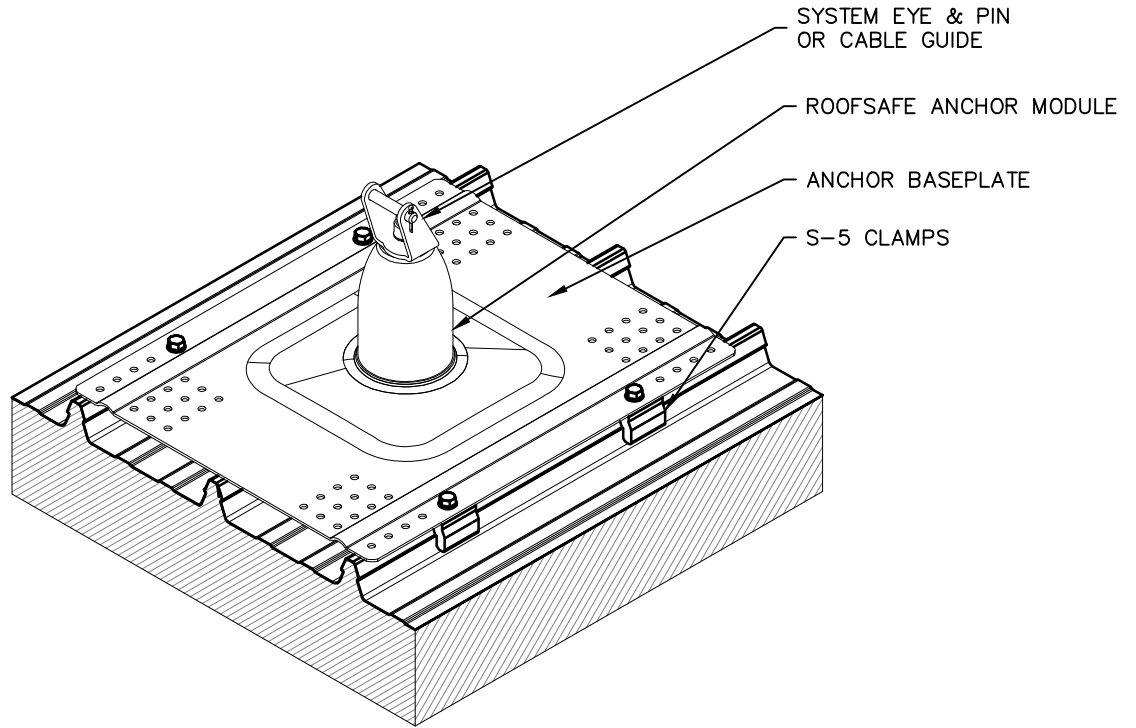


TECHNICAL DATA SHEET

ROOFSAFE ANCHOR - STANDING SEAM ROOFING

CST061616

LINEAR
ACCESS SOLUTIONS



ROOFTOP ANCHOR

PROPRIETARY AND CONFIDENTIAL

The information contained in this drawing is the sole property of Rooftop Anchor, Inc. Any reproduction in part or as a whole without written permission of Rooftop Anchor, Inc. is prohibited.

