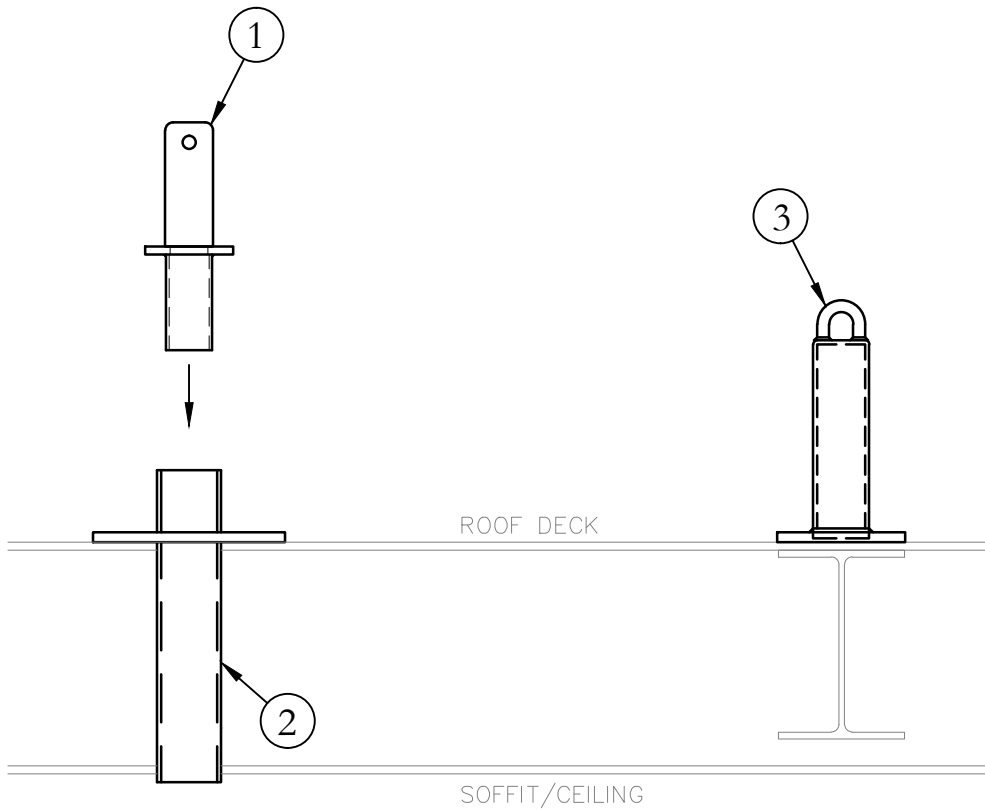




TECHNICAL DATA SHEET

RIGGING SLEEVE ASSEMBLY PROCEDURE

AXIS
ANCHOR PRODUCTS



1. SLIDE PORTABLE RIGGING CAP (#1) INTO THE TOP OF RIGGING SLEEVE (#2) AS SHOWN.

ROOFTOP ANCHOR

PROPRIETARY AND CONFIDENTIAL

The information contained in this drawing is the sole property of Rooftop Anchor, Inc. Any reproduction in part or as a whole without written permission of Rooftop Anchor, Inc. is prohibited.

EFFECTIVE: JANUARY 2016

