

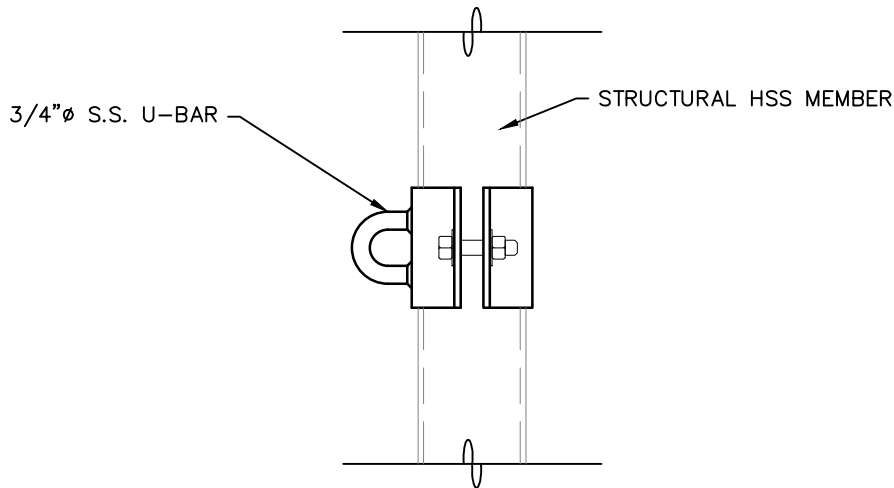
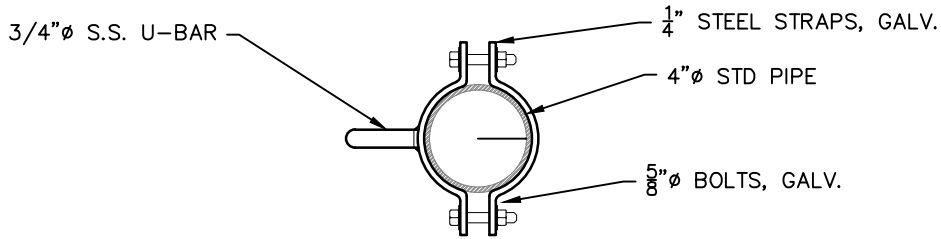


TECHNICAL DATA SHEET

PIPE WRAP ANCHOR - LOOP

RP 00 00 _

AXIS
ANCHOR PRODUCTS



PART # RP 00 00 _

NOTES:

1. THE PROJECT STRUCTURAL ENGINEER IS RESPONSIBLE FOR THE DESIGN OF THE BUILDING STRUCTURE AND LOCAL REINFORCEMENT WHERE REQUIRED, TO WITHSTAND THE APPLIED LOADS OF THE ROOF SAFETY EQUIPMENT SUPPLIED BY ROOFTOP ANCHOR, INC.
2. FALL ARREST SAFETY ANCHORS ARE DESIGNED TO A TYPICAL MAXIMUM FALL ARRESTING FORCE OF 1,800 lbs WHEN WEARING A BODY HARNESS, WITH A FACTOR OF SAFETY OF 2 WITHOUT ANY PERMANENT DEFORMATION; AND TO 5,000 lbs AGAINST FRACTURE OR DETACHMENT.

R]	ANCHOR TYPE (ROOFTOP)
P]	ATTACHMENT METHOD (PIPE WRAP)
0]	UNUSED
0]	UNUSED
0]	TOP ATTACHMENT: _ _
1]	(00 - LOOP; 01 - STUD)
4]	PIPE OUTSIDE DIAMETER: _ _" (4.5")
5]	



PROPRIETARY AND CONFIDENTIAL

The information contained in this drawing is the sole property of Rooftop Anchor, Inc. Any reproduction in part or as a whole without written permission of Rooftop Anchor, Inc. is prohibited.

