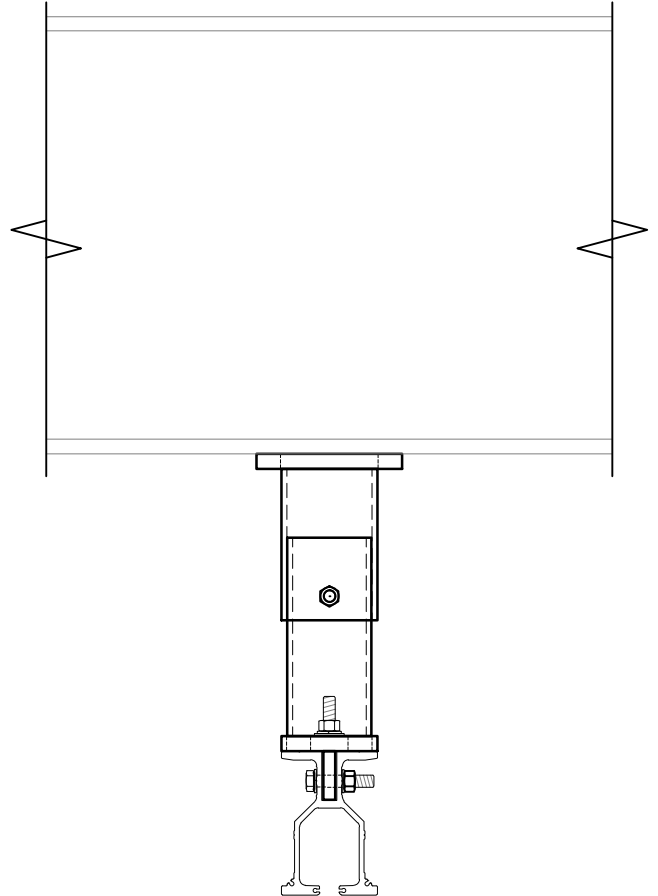
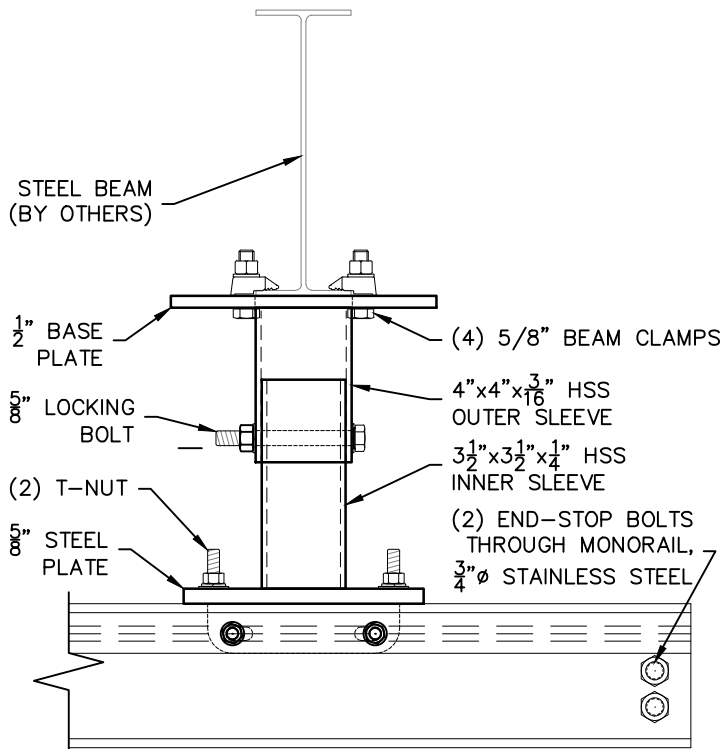


TECHNICAL DATA SHEET

MONORAIL BRACKET - SLEEVED BEAM CLAMP

LINEAR
ACCESS SOLUTIONS



ROOFTOP ANCHOR

PROPRIETARY AND CONFIDENTIAL
The information contained in this drawing is the sole property of
Rooftop Anchor, Inc. Any reproduction in part or as a whole without
written permission of Rooftop Anchor, Inc. is prohibited.

EFFECTIVE: JANUARY 2016

