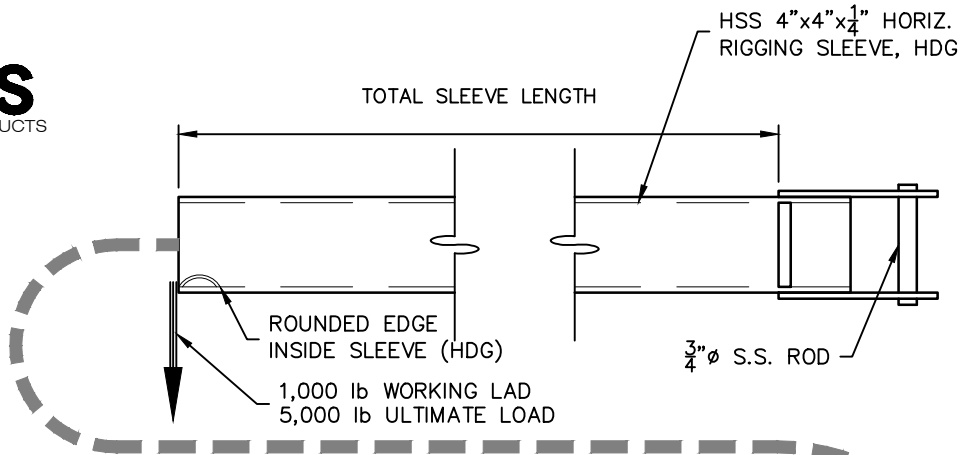


# TECHNICAL DATA SHEET

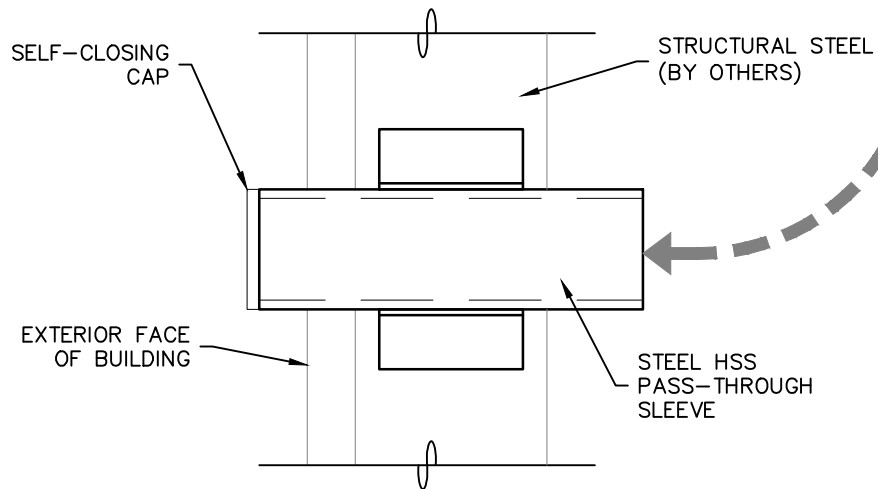
## HORIZONTAL RIGGING SLEEVE

HW \_ 04 \_

**AXIS**  
ANCHOR PRODUCTS



## HORIZONTAL RIGGING SLEEVE



## PASS-THROUGH SLEEVE

**ROOFTOP ANCHOR**

**PROPRIETARY AND CONFIDENTIAL**  
The information contained in this drawing is the sole property of Rooftop Anchor, Inc. Any reproduction in part or as a whole without written permission of Rooftop Anchor, Inc. is prohibited.

EFFECTIVE: JANUARY 2016

