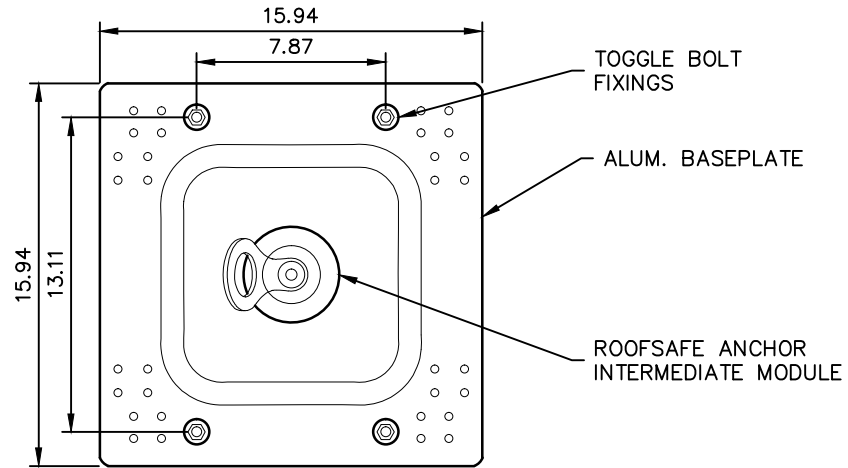


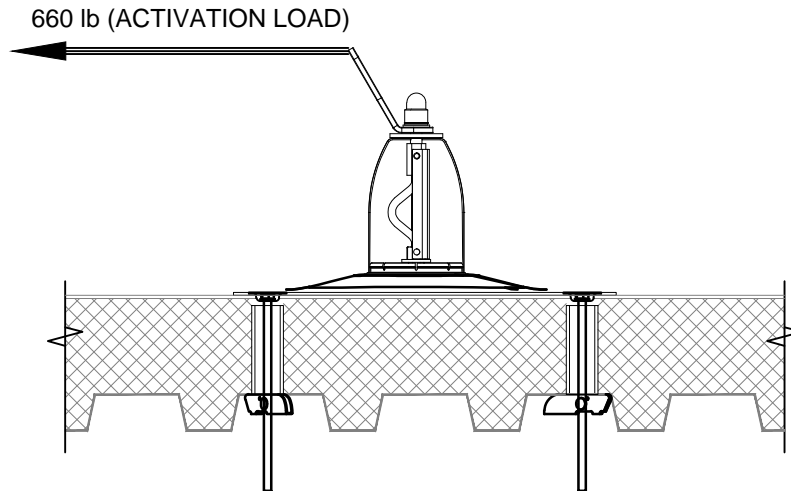
# TECHNICAL DATA SHEET

## FORCE MANAGEMENT ANCHOR - INTERMEDIATE MODULE

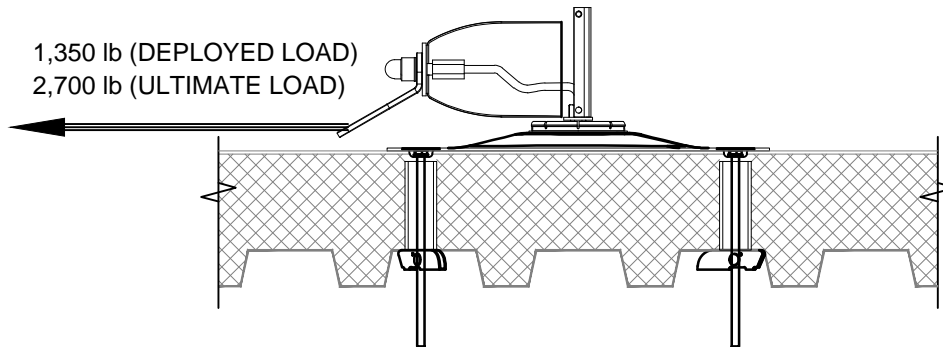
**LINEAR**  
ACCESS SOLUTIONS



TOP VIEW



BEFORE DEPLOYMENT



AFTER DEPLOYMENT

**ROOFTOP ANCHOR**

PROPRIETARY AND CONFIDENTIAL  
The information contained in this drawing is the sole property of Rooftop Anchor, Inc. Any reproduction in part or as a whole without written permission of Rooftop Anchor, Inc. is prohibited.

EFFECTIVE: JANUARY 2016

