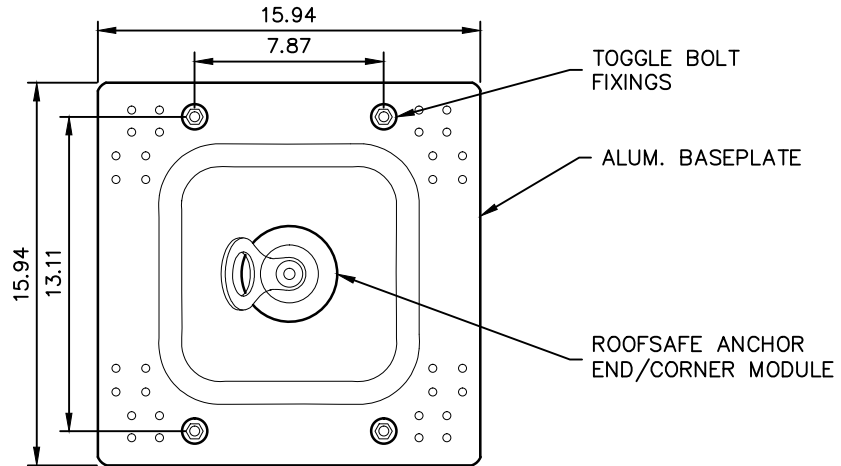


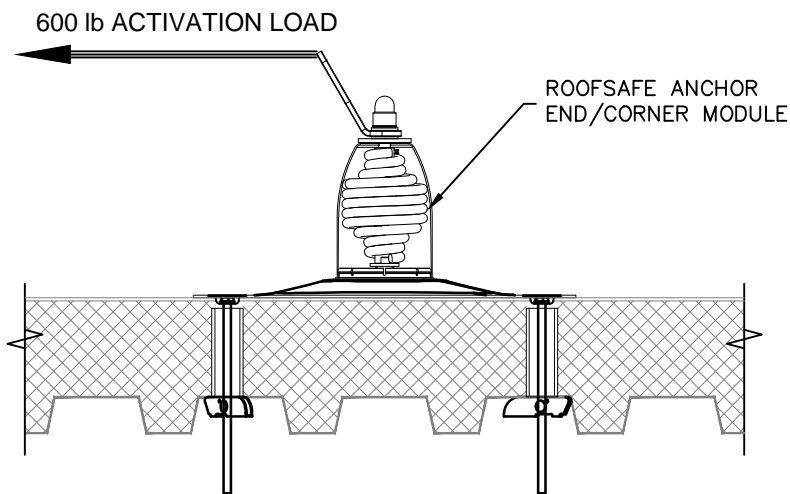
TECHNICAL DATA SHEET

FORCE MANAGEMENT ANCHOR - END/CORNER MODULE

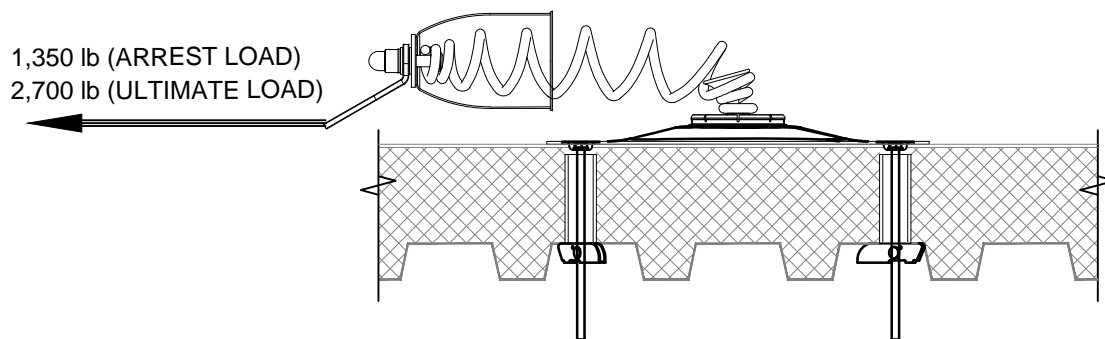
LINEAR
ACCESS SOLUTIONS



TOP VIEW



BEFORE DEPLOYMENT



AFTER DEPLOYMENT

ROOFTOP ANCHOR

PROPRIETARY AND CONFIDENTIAL
The information contained in this drawing is the sole property of Rooftop Anchor, Inc. Any reproduction in part or as a whole without written permission of Rooftop Anchor, Inc. is prohibited.

EFFECTIVE: JANUARY 2016

