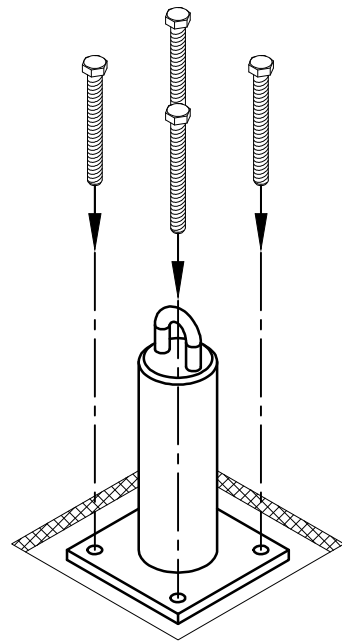
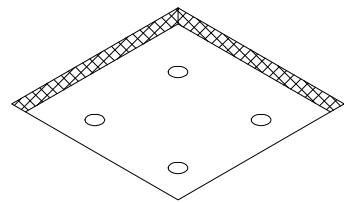


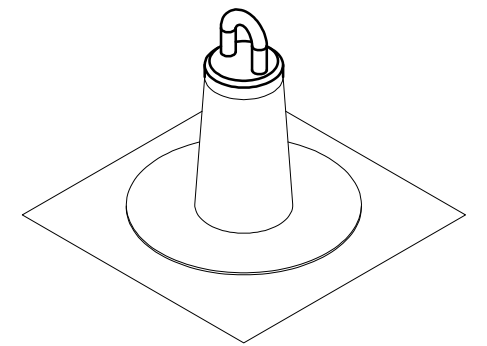
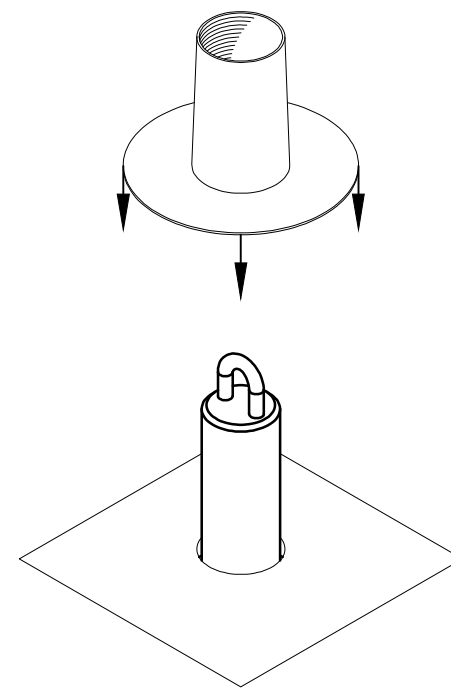
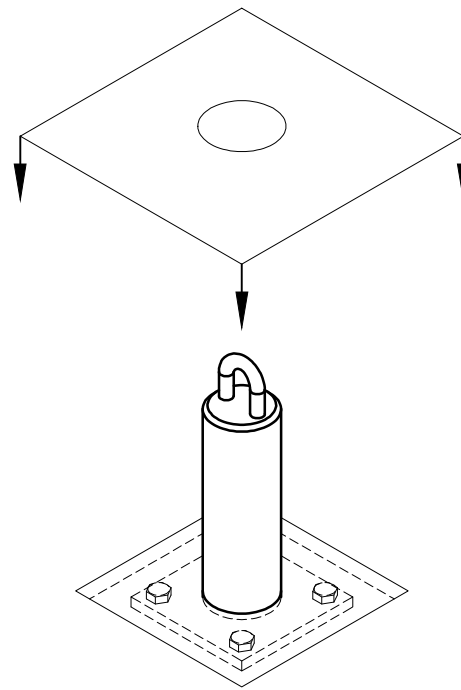
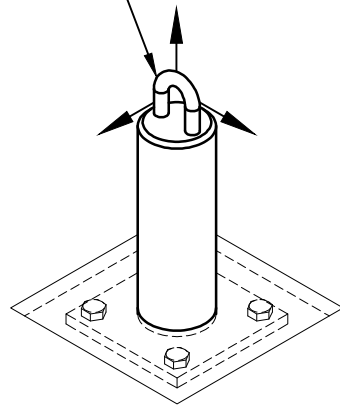
TECHNICAL DATA SHEET

FLASHING INSTALLATION DETAILS

AXIS
ANCHOR PRODUCTS



TEST ANCHOR
AT THIS STEP



ROOFTOP ANCHOR

PROPRIETARY AND CONFIDENTIAL
The information contained in this drawing is the sole property of
Rooftop Anchor, Inc. Any reproduction in part or as a whole without
written permission of Rooftop Anchor, Inc. is prohibited.

