

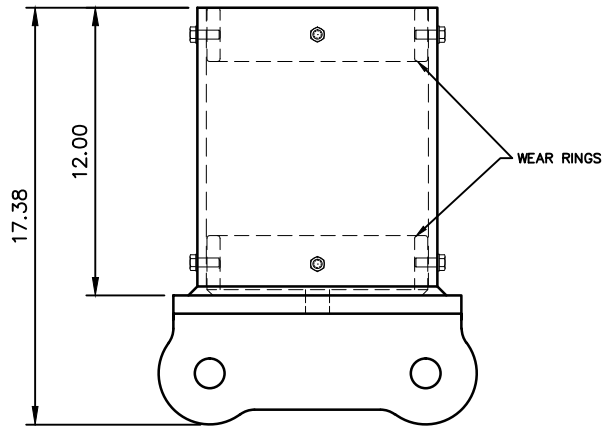
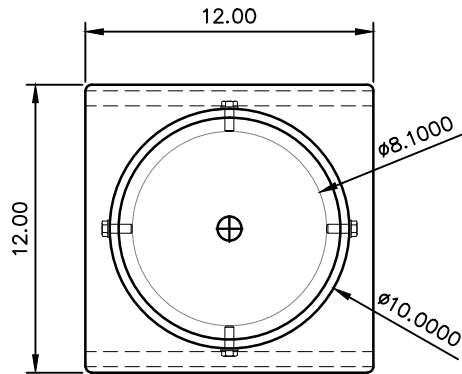


TECHNICAL DATA SHEET

DAVIT SOCKET

DW000000S

AXIS
ANCHOR PRODUCTS



ROOFTOP ANCHOR

PROPRIETARY AND CONFIDENTIAL
The information contained in this drawing is the sole property of Rooftop Anchor, Inc. Any reproduction in part or as a whole without written permission of Rooftop Anchor, Inc. is prohibited.

EFFECTIVE: JANUARY 2016

