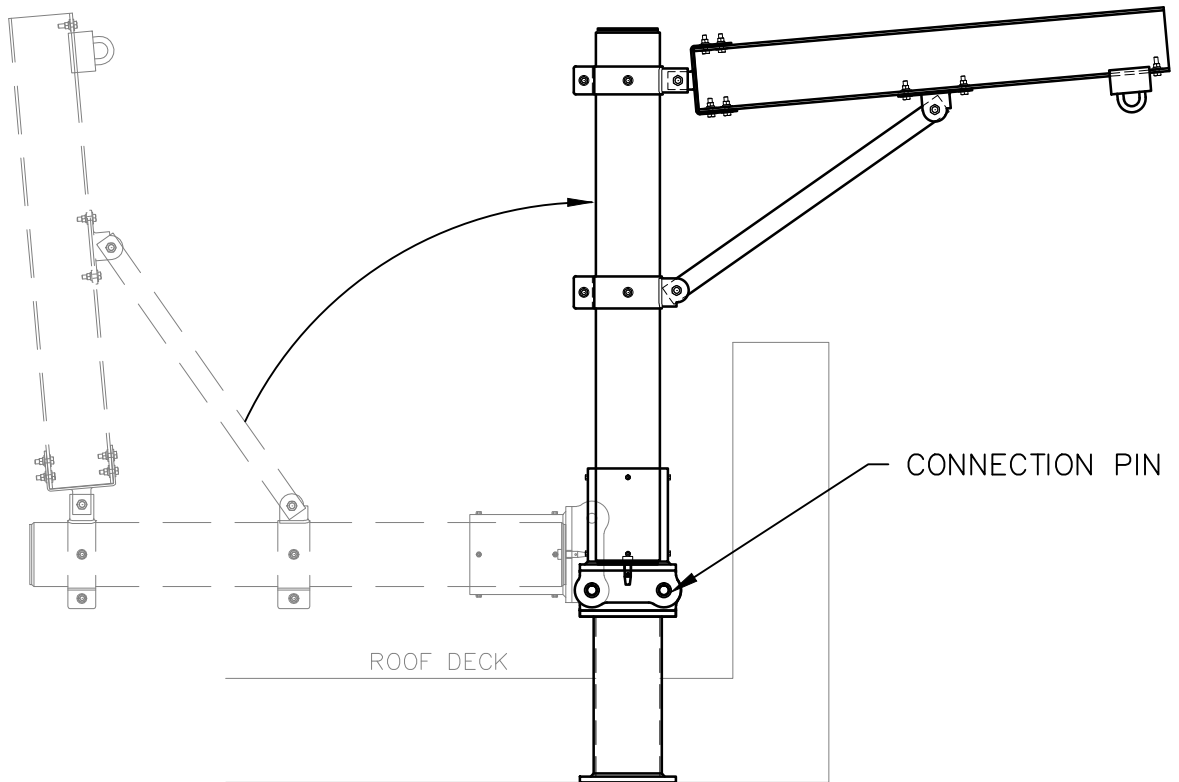


TECHNICAL DATA SHEET

DAVIT ASSEMBLY PROCEDURE

AXIS
ANCHOR PRODUCTS



3. RAISE THE DAVIT ASSEMBLY TO ITS FULL UPRIGHT POSITION, BEING CAREFUL NOT TO LET THE ASSEMBLY CRASH FORWARD. AFTER ASSEMBLY HAS BEEN RAISED, INSERT THE FRONT DAVIT SOCKET CONNECTION PIN INTO DAVIT SOCKET/BASE HOLE. MAKE SURE THE CONNECTION PIN SAFETY CLIP IS INSTALLED AND IS FULLY ENGAGED.

DAVIT SYSTEM USAGE NOTES

1. ALL WORKERS MUST BE TRAINED BY A COMPETENT INDIVIDUAL PRIOR TO USING THIS EQUIPMENT.
2. INSPECT ALL FASTENERS AND LOCKING PINS BEFORE EACH USE. ENSURE THEY ARE IN PLACE, IN GOOD WORKING ORDER AND PROPERLY ENGAGED.
3. DO NOT EXCEED THE MAXIMUM ALLOWABLE WORKING LOAD OF THIS EQUIPMENT (SEE LOAD CAPACITY PLATE). TO CALCULATE THE MAXIMUM LOAD CAPACITY, COMBINE THE TOTAL WEIGHT OF OPERATING PERSONNEL, MATERIALS, AND ALL SUSPENDED/SUPPORTED EQUIPMENT.
4. THE RATED CAPACITY OF THE HOIST MUST NOT EXCEED THE MAXIMUM ALLOWABLE LOAD OF 1,000 LBS.
5. EACH WORKER'S SAFETY LIFELINE MUST BE ATTACHED TO A CERTIFIED ANCHORAGE, INDEPENDENT OF THIS ENTIRE ASSEMBLY.
6. DO NOT REPAIR OR MODIFY THIS EQUIPMENT. ALL REPAIRS MUST BE PERFORMED BY AN AUTHORIZED ROOFTOP ANCHOR, INC. REPRESENTATIVE.
7. TO ENSURE THAT ALL PARTS OF THE EQUIPMENT ARE IN SAFE OPERATING CONDITION, ALL STRUCTURAL, ELECTRICAL AND MECHANICAL EQUIPMENT SHALL UNDERGO INSPECTION, TESTING AND SERVICING PRIOR TO USE IN ACCORDANCE WITH THE MANUFACTURER'S RECOMMENDATIONS AND OSHA 1910.66, ASME A-120.1-2001, ANSI I-14.1.
8. IF PARAPET OR GUARDRAIL IS LESS THAN 42" HIGH, WORKERS MUST UTILIZE PROPER FALL PROTECTION MEANS WHILE TRANSPORTING AND ERECTING DAVIT ASSEMBLY.
9. USER SHOULD ATTACH THEIR SUPPORT LINE TO THE DAVIT SUSPENSION LOOP ONLY WHILE THE BOOM IS ROTATED INBOARD AND PRIOR TO ROTATING DAVIT BOOM OUTBOARD.
10. DAVITS MUST NEVER BE ROTATED UNDER LOAD NOR SHALL THE USER ATTEMPT TO SLIDE SUSPENSION LOOP WHILE UNDER LOAD.

ROOFTOP ANCHOR

PROPRIETARY AND CONFIDENTIAL

The information contained in this drawing is the sole property of Rooftop Anchor, Inc. Any reproduction in part or as a whole without written permission of Rooftop Anchor, Inc. is prohibited.

EFFECTIVE: JANUARY 2016

