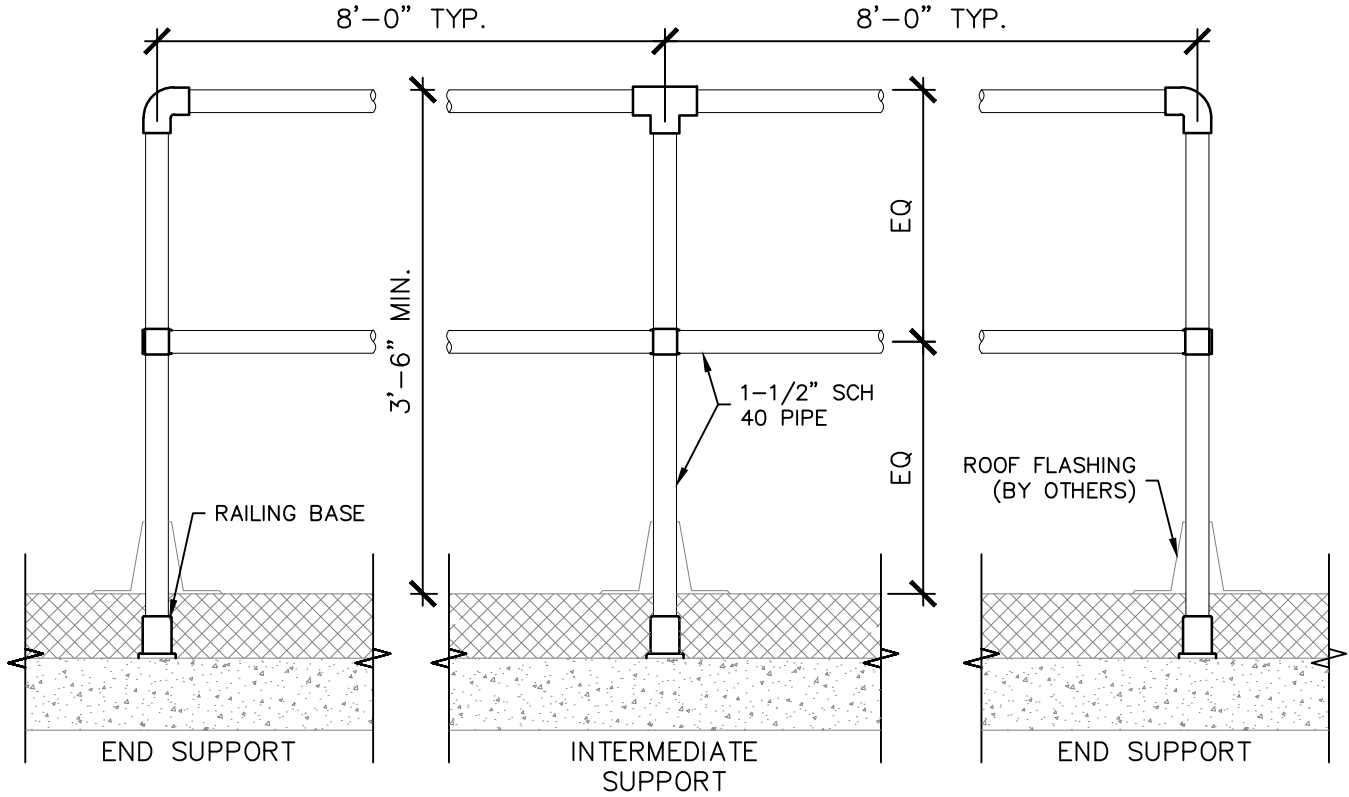


# TECHNICAL DATA SHEET

## COUNTORED CONCRETE FIXED GUARDRAIL SYSTEM

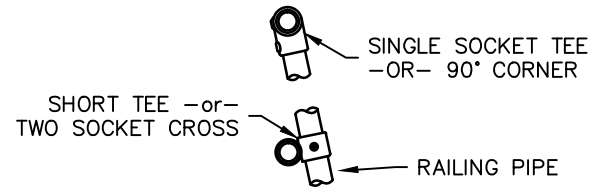
GFA \_ \_

**SECTOR**  
SAFETY SYSTEMS

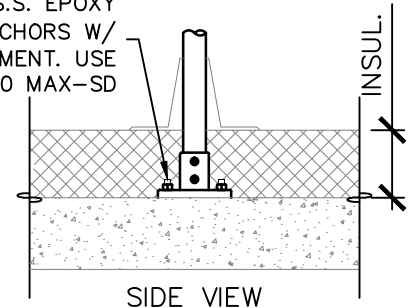


PART # GFA \_ \_

- G ]— PRODUCT TYPE (GUARDRAIL)
- F ]— ATTACHMENT METHOD (CONCRETE FIXED)
- A ]— GUARDRAIL STYLE (COUNTORED)
- 4 ]— VERTICAL HEIGHT: \_"(42")
- 2 ]—
- 8 ]— RAIL LENGTH: \_' \_" (8' 0")
- 0 ]—



(2) 1/2" Ø S.S. EPOXY ADHESIVE ANCHORS W/ 4" MIN. EMBEDMENT. USE HILTI-HY 200 MAX-SD



**NOTES:**

- ALL GUARDRAIL SHALL BE A PART OF AN OSHA COMPLIANT GUARDRAIL SYSTEM.
- GUARDRAIL SHALL HAVE A MINIMUM HEIGHT OF 42" ABOVE THE FINISHED WALKING SURFACE.
- PIPE RAILINGS SHALL HAVE A MINIMUM NOMINAL DIAMETER OF 1 1/2".
- POST SPACING SHALL NOT EXCEED 8'-0".
- ANCHORING OF POSTS AND FRAMING OF MEMBERS FOR RAILS SHALL BE SUCH THAT THE COMPLETED STRUCTURE SHALL BE CAPABLE OF WITHSTANDING A LOAD OF AT LEAST 200 POUNDS APPLIED IN ANY DIRECTION AT ANY POINT ON THE TOP RAIL.



**PROPRIETARY AND CONFIDENTIAL**  
The information contained in this drawing is the sole property of Rooftop Anchor, Inc. Any reproduction in part or as a whole without written permission of Rooftop Anchor, Inc. is prohibited.

	PIPE	BRACKETS
MATERIAL	ASTM A53	CAST IRON, GALV.
QUALITY	100% VISUAL INSP.	100% VISUAL INSP.
COLOR	METALLIC	DULL METALLIC

