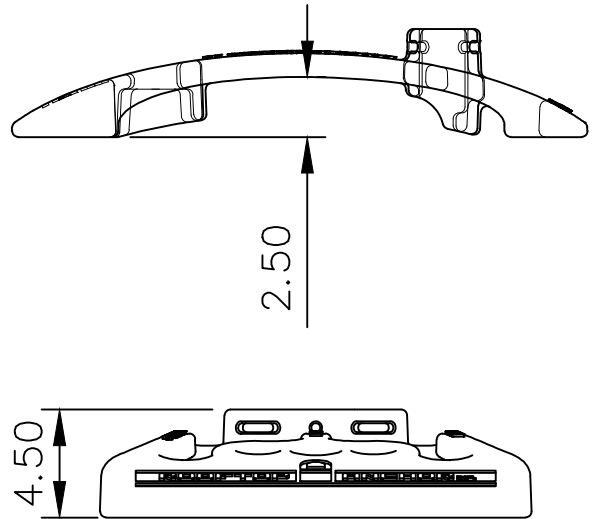
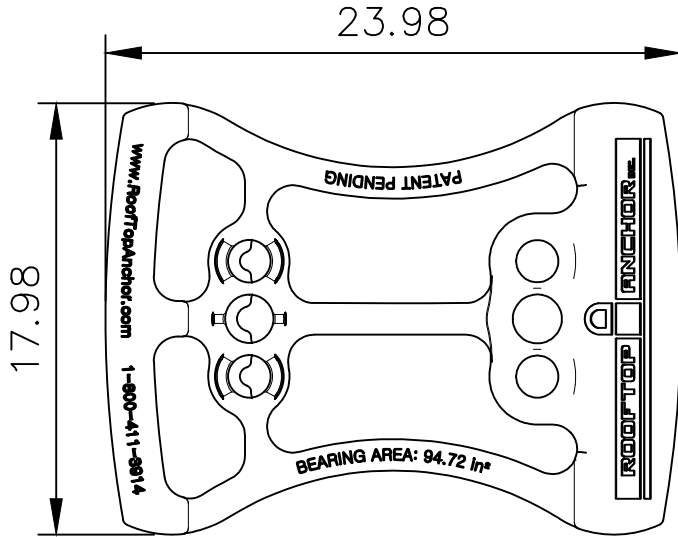


# TECHNICAL DATA SHEET

## COUNTERWEIGHTED GUARDRAIL BASE

GC000

**SECTOR**  
SAFETY SYSTEMS



OFF CENTERED STANCHION  
MOVES THE BASE AWAY  
FROM THE WALKING SURFACE,  
PREVENTING A TRIP HAZARD

FOR 1.25" PIPE

FOR 1.5" PIPE

CURVED PROFILE TO  
PREVENT WATER PONDING

TAPERED SOFT  
EDGES PREVENT  
CUTS AND SNAGS  
ON ROOF MEMBRANE

PROFILE FOR  
EASY HANDLING

HOLES FOR PIPE TO  
REACH BOTTOM  
BASE WHEN STACKED

MATERIAL	CAST IRON
WEIGHT	85 lbs.
FOOTPRINT	94.72 in <sup>2</sup>
ROOF PRESSURE	0.90 psi



**PROPRIETARY AND CONFIDENTIAL**  
The information contained in this drawing is the sole property of  
Rooftop Anchor, Inc. Any reproduction in part or as a whole without  
written permission of Rooftop Anchor, Inc. is prohibited.

