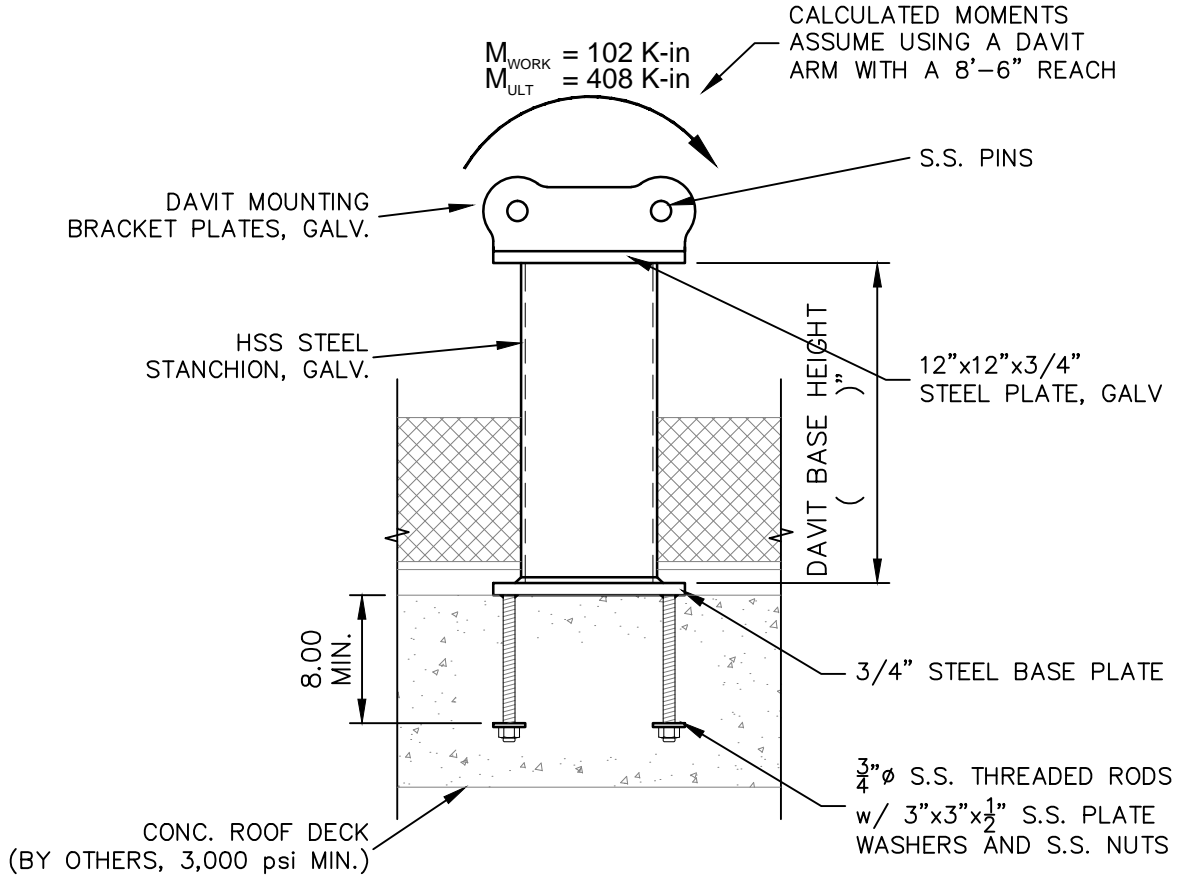


TECHNICAL DATA SHEET

CAST-IN-PLACE DAVIT BASE

DC000020B

AXIS
ANCHOR PRODUCTS



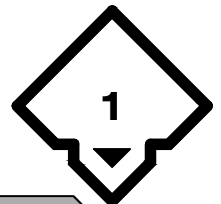
PART # DC 00 00 __ B

NOTES:

1. THE PROJECT STRUCTURAL ENGINEER IS RESPONSIBLE FOR THE DESIGN OF THE BUILDING STRUCTURE AND LOCAL REINFORCEMENT WHERE REQUIRED, TO WITHSTAND THE APPLIED LOADS OF THE ROOF SAFETY EQUIPMENT SUPPLIED BY ROOFTOP ANCHOR, INC.
2. DAVIT ARMS ARE DESIGNED TO A TYPICAL MAXIMUM WORKING LOAD OF 1,000 lbs, WITH A FACTOR OF SAFETY OF 2 WITHOUT ANY PERMANENT DEFORMATION; AND TO 4,000 lbs AGAINST FRACTURE OR DETACHMENT.

- D] ANCHOR TYPE (DAVITS)
- C] ATTACHMENT METHOD (CAST-IN-PLACE)
- 0] MAST HEIGHT: UNUSED
- 0] BOOM LENGTH: UNUSED
- 2] DAVIT BASE HEIGHT: __ " (20")
- B] COMPONENT

OPTIONS:
 (B) BASE
 (S) SOCKET
 (D) DAVIT



ROOFTOP ANCHOR

PROPRIETARY AND CONFIDENTIAL

The information contained in this drawing is the sole property of Rooftop Anchor, Inc. Any reproduction in part or as a whole without written permission of Rooftop Anchor, Inc. is prohibited.