



## Epoxy Adhesive Wall Anchor

### Specification and Data Sheet

**Product Name:** Epoxy Adhesive Wall Anchor Models: WE000207. Note: Epoxy Adhesive Wall anchor model numbers correspond to number of bolt holes, and bolt length. The model that is called WE000207 has 2 bolt holes and a 7" total bolt length.

**Manufacturer:** Rooftop Anchor, Inc. 2700 South 900 West Suite 200, Salt Lake City, Utah 84119, Phone (800) 411-3914, Fax (801) 839-2929.

**Product Description:** Stainless steel U-bar welded to a stainless steel wall plate.

**Composition and Material:** The epoxy adhesive wall anchor consists of two major components: (1) Wall plate is ¼" 304 stainless steel plate HRA&P, ASTM-A240 (2) Loop is ¾" 304 stainless round bar, ASTM-A182-01.

**Product Performance:** Used on all rooftops, balconies, and terraces as a tie back for suspended equipment and/or personal lifeline.

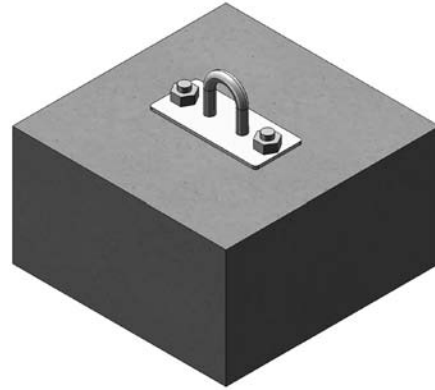
**Load Weight Capacity:** Anchors and structures will be reviewed and approved to withstand an ultimate load of 5000 lbs (22.2 kN) against fracture or detachment, but may yield in the event of a fall arrest situation or overloading.

**Standards & Regulations:** Rooftop Anchor's product conforms to all U.S. standards, labor/safety codes and material regulations relating to anchor fabrication, window cleaning and other suspended maintenance operations. Agencies include ASME, ANSI, IWCA, OSHA, CAL, AISC, AWS, etc.

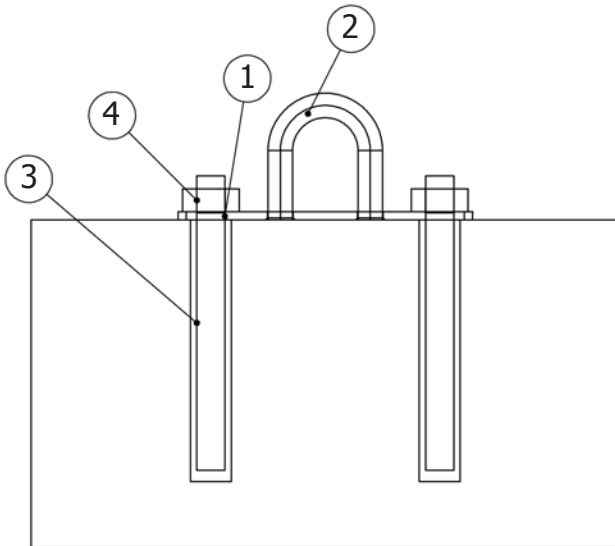
**Maintenance:** All anchors do not require maintenance; however an annual visual inspection by Rooftop Anchor, Inc. is required and must be recorded in the Rooftop Anchor log book. (OSHA STANDARD 1910.66(g) (1, 2, 3)) Ten year re-certification is also required for all anchors, with the exception of epoxy adhesive anchors, which require re-certification every five years.

**Warranty Terms:** System will be under warranty to operate properly for up to twenty years following installation, and rooftop anchor's preliminary testing and certification, also providing annual inspections are performed by Rooftop Anchor authorized personnel, using only Rooftop Anchor specified materials. The warranty is in continuum as long as annual inspections are done by Rooftop Anchor personnel or a certified representative. Rooftop Anchor warranty card is available upon request.

**Technical Services:** Please call Rooftop Anchor, Inc.: (800) 411-3914; or visit [www.RooftopAnchor.com](http://www.RooftopAnchor.com) for technical information, graphics, CAD drawing downloads, or installation services. Rooftop Anchor highly recommends installation and inspection services performed by a certified Rooftop Anchor technician.



1. Large Anchor Plate
2. Stainless Steel U-Bar
3. Threaded Stainless Steel Rod
4. Standard Hex Nut



PROPRIETARY AND CONFIDENTIAL

The information contained in this drawing is the sole property of Rooftop Anchor, Inc. Any reproduction in part or as a whole without written permission of Rooftop Anchor, Inc. is prohibited.

**Epoxy Adhesive Wall Anchor WE000207**