



Cast-In-Place Rooftop Anchor

Specification and Data Sheet

Product Name: Cast-In-Place Anchor Models: RC120806/RC150806/RC180806. Note: Cast-In-Place anchor model numbers correspond to stanchion height, plate size, and bolt length. The model that is called RC120806 has a 12" stanchion height, 8" x 8" plate width, and a 6" total bolt length.

Manufacturer: Rooftop Anchor, Inc. 2700 South 900 West Suite 200, Salt Lake City, Utah 84119, Phone (800) 411-3914, Fax (801) 839-2929.

Product Description: Stainless steel U-bar welded to upright hollow stanchion which is filled with polyurethane foam (all metal is hot-dip galvanized after fabrication). Upright hollow stanchion is welded to base plate; four threaded stainless steel bolts connect the base plate to the bottom plate; secured by stainless steel hex nuts with stainless steel flat and lock washers.

Composition and Material: The cast-in-place rooftop anchor consists of four major components: (1) Cap is 1/4" ASTM-A36, structural quality carbon steel plate. (2) Base plate & Bottom plate is 5/8" ASTM-A36, structural quality carbon steel. (3) Upright hollow stanchion is 3 1/2" Schedule 40 hand rail quality carbon steel, ASTM-A500 Grade B. (4) Loop is 3/4" 304 stainless round bar, ASTM-A182-01.

Product Performance: Used on all rooftops, balconies and terraces as a tie back for suspended equipment and/or personal lifeline.

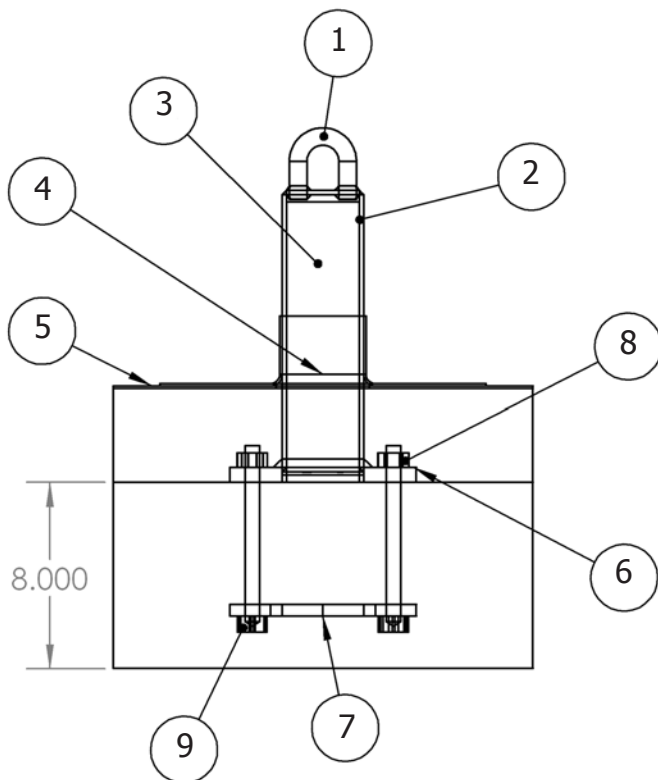
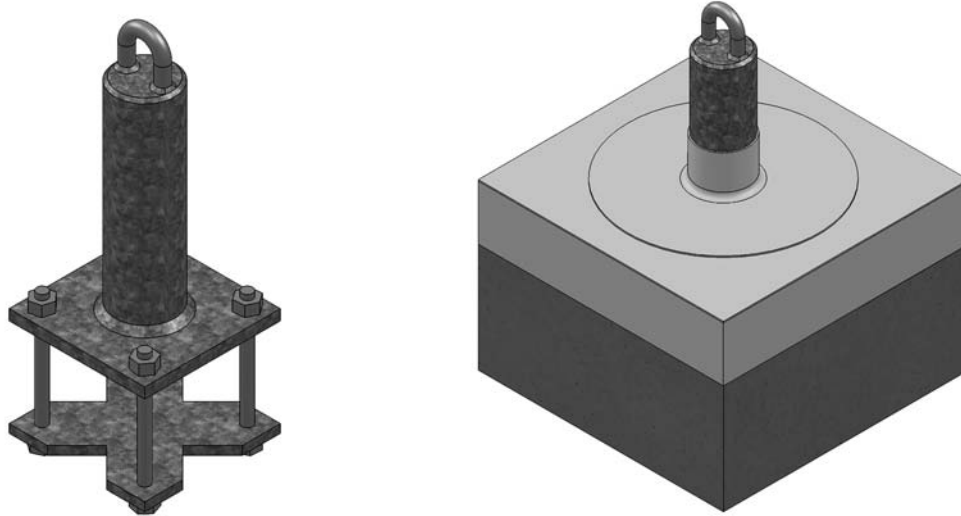
Load Weight Capacity: Anchors and structures will be reviewed and approved to withstand an ultimate load of 5000 lbs (22.2 kN) against fracture or detachment, but may yield in the event of a fall arrest situation or overloading.

Standards & Regulations: Rooftop Anchor's product conforms to all U.S. standards, labor/safety codes and material regulations relating to anchor fabrication, window cleaning and other suspended maintenance operations. Agencies include ASME, ANSI, IWCA, OSHA, CAL, AISC, AWS, etc.

Maintenance: All anchors do not require maintenance; however an annual visual inspection by Rooftop Anchor, Inc. is required and must be recorded in the Rooftop Anchor log book. (OSHA STANDARD 1910.66(g) (1, 2, 3)) Ten year re-certification is also required for all anchors, with the exception of epoxy adhesive anchors, which require re-certification every five years.

Warranty Terms: System will be under warranty to operate properly for up to twenty years following installation, and rooftop anchor's preliminary testing and certification, also providing annual inspections are performed by Rooftop Anchor authorized personnel, using only Rooftop Anchor specified materials. The warranty is in continuum as long as annual inspections are done by Rooftop Anchor personnel or a certified representative. Rooftop Anchor warranty card is available upon request.

Technical Services: Please call Rooftop Anchor, Inc.: (800) 411-3914; or visit www.RooftopAnchor.com for technical information, graphics, CAD drawing downloads, or installation services. Rooftop Anchor highly recommends installation and inspection services performed by a certified Rooftop Anchor technician.

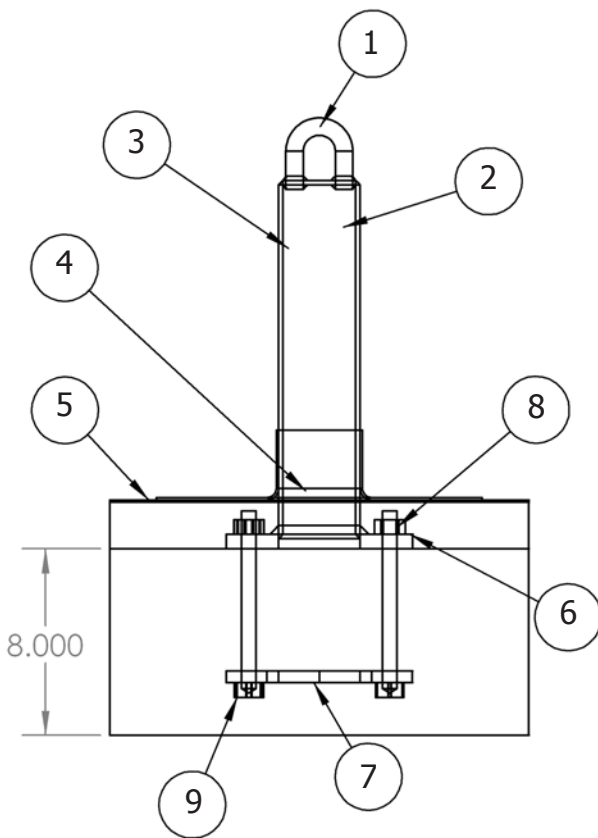
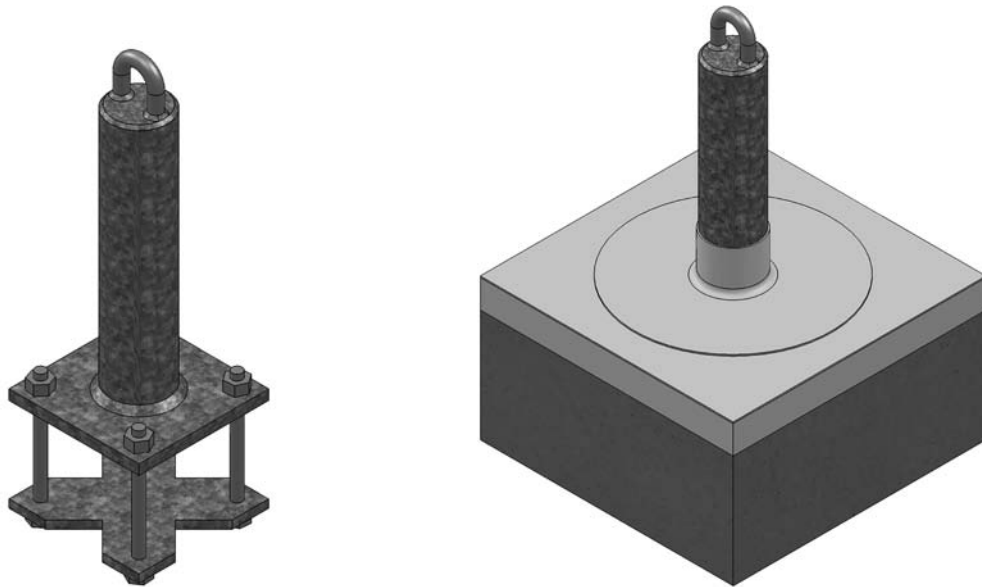


1. Stainless Steel U-Bar
2. Upright Hollow Stanchion
3. Polyurethane Foam
4. Membrane Compatible Flashing
5. Roof Membrane
6. 5/8" Base Plate Welded to Upright Hollow Stanchion
7. Bottom Plate
8. Standard Hex Nut and Lock Washer
9. Threaded Stainless Steel Bolts

PROPRIETARY AND CONFIDENTIAL

The information contained in this drawing is the sole property of Rooftop Anchor, Inc. Any reproduction in part or as a whole without written permission of Rooftop Anchor, Inc. is prohibited.

Cast-In-Place Rooftop Anchor RC120806

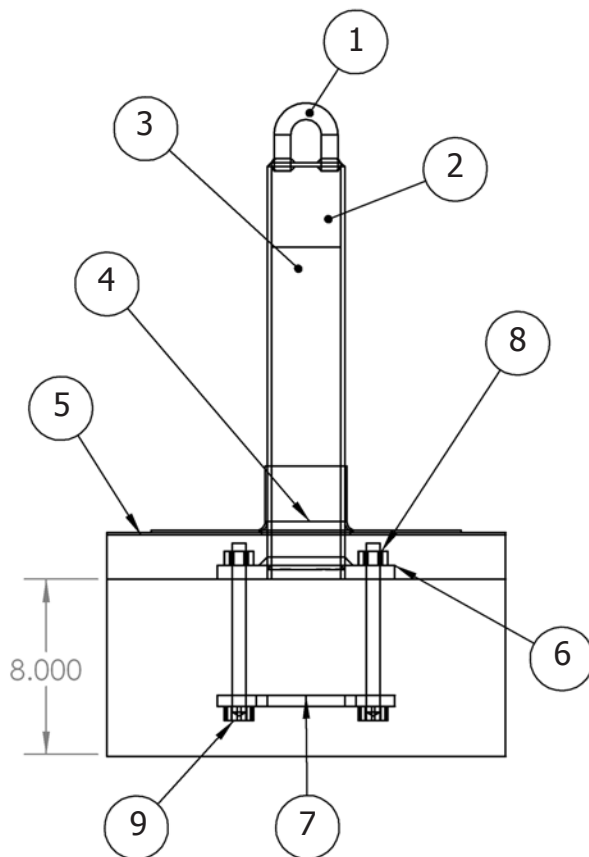
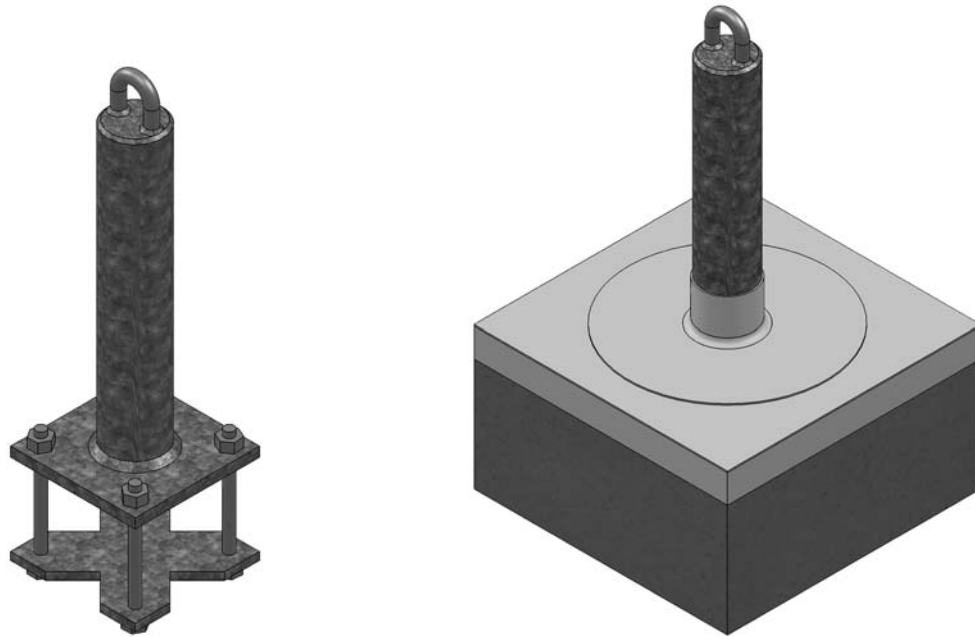


1. Stainless Steel U-Bar
2. Upright Hollow Stanchion
3. Polyurethane Foam
4. Membrane Compatible Flashing
5. Roof Membrane
6. 5/8" Base Plate Welded to Upright Hollow Stanchion
7. Bottom Plate
8. Standard Hex Nut and Lock Washer
9. Threaded Stainless Steel Bolts

PROPRIETARY AND CONFIDENTIAL

The information contained in this drawing is the sole property of Rooftop Anchor, Inc. Any reproduction in part or as a whole without written permission of Rooftop Anchor, Inc. is prohibited.

Cast-In-Place Rooftop Anchor RC150806



1. Stainless Steel U-Bar
2. Upright Hollow Stanchion
3. Polyurethane Foam
4. Membrane Compatible Flashing
5. Roof Membrane
6. 5/8" Base Plate Welded to Upright Hollow Stanchion
7. Bottom Plate
8. Standard Hex Nut and Lock Washer
9. Threaded Stainless Steel Bolts

PROPRIETARY AND CONFIDENTIAL

The information contained in this drawing is the sole property of Rooftop Anchor, Inc. Any reproduction in part or as a whole without written permission of Rooftop Anchor, Inc. is prohibited.

Cast-In-Place Rooftop Anchor RC180806