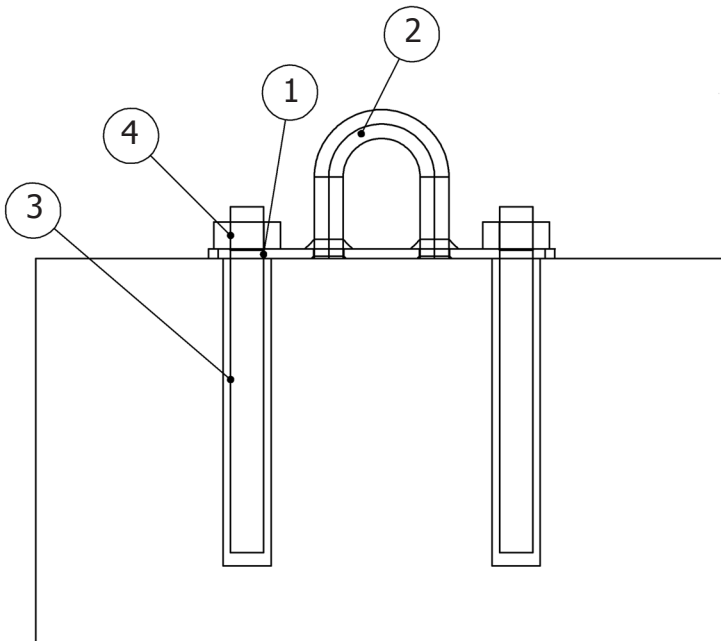


1. Large Anchor Plate
2. Stainless Steel U-Bar
3. 7" Threaded Stainless Steel Rod
4. Standard Hex Nut



PROPRIETARY AND CONFIDENTIAL

The information contained in this drawing is the sole property of Rooftop Anchor, Inc. Any reproduction in part or as a whole without written permission of Rooftop Anchor, Inc. is prohibited.

Epoxy Adhesive Wall Anchor WE000207