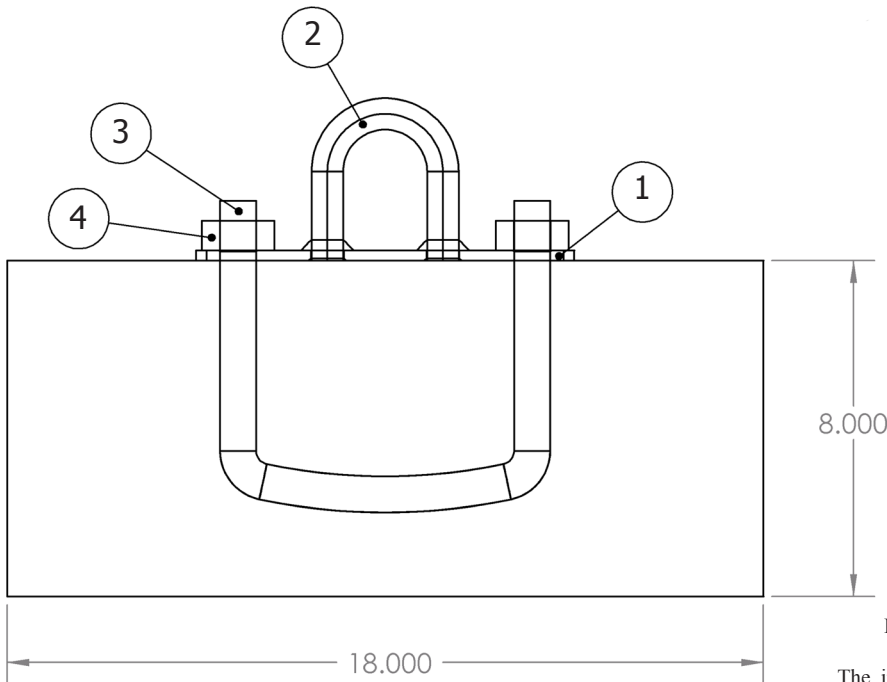


- 1. Large Anchor Plate
- 2. Stainless Steel U-Bar Exposed
- 3. Stainless Steel U-Bar Imbedded
- 4. Standard Hex Nut



PROPRIETARY AND CONFIDENTIAL

The information contained in this drawing is the sole property of Rooftop Anchor, Inc. Any reproduction in part or as a whole without written permission of Rooftop Anchor, Inc. is prohibited.

Cast-In-Place Wall Anchor WC000206